

# Clamping and balancing technology



and  
supplies

grinding deserves SOLUTIONS

**GDS**<sup>®</sup>  
Made in Germany



# INHALT

Status Sept. 2023

## Clamping and balancing technology

Optimal grinding solutions require extreme precision paired with an efficient and flexible loading system on your machine.

To meet these requirements, GDS has developed new clamping and balancing systems.

## “Our quality for your success“

All clamping and balancing solutions needed for high-precision tool grinding from one source. Customized solutions for your grinding and workpiece spindles are available on request.

GDS - precision is our passion



Competence and Innovation

## Characteristics of GDS clamping and balancing systems:

-  Highest accuracy by using modern measurement techniques.
-  Perfect fit and optimum radial and axial runout.
-  Ruggedness due to use of tempered material and best heating treatments.
-  Optimum surface finish plus long lasting dimensional stability and precision.
-  Sustainability by excellent durability and repair options.

ANCA .....	4-5
Deckel/ISOG .....	6
Haas .....	7-8
Hawema .....	9
Joerg S-tech+ .....	10
Reinecker .....	11-12
Saacke .....	13-14
Schneeberger .....	15
Schütte .....	16
SMP .....	17
Star .....	18
Strausak .....	19
TGT .....	20
Vollmer .....	21
Walter .....	22-25

GDS SHARK series .....	26-29
GDS µGrind series .....	30-41

GDS VIPER series .....	42-47
GDS ALLIGATOR series .....	48-53
GDS COBRA series .....	54-57
GDS xGrind series .....	58-64

Test and adjusting mandrels .....	65
Clamp Stick clamping tools .....	66-67
FIRETIGER tool pallets .....	68-69
Equi'Z toolbalancer .....	70-73
Adapter for dressing, presetting .....	74
Adapter SK40 and SK50 .....	75-76
Adapter grinding wheel adapter .....	77
GDS trading partners .....	78-81
Space for notes .....	82-83

ANCA
Deckel/ISOG
Haas
Hawema
Joerg S-tech+
Reinecker
Saacke
Schneeberger
Schütte
SMP
Star
Strausak
TGT
Vollmer
Walter

Premium segment
-----------------

Standard segment
------------------

Test equipment
Clamp Stick
FIRETIGER
Equi'Z
Adapter HSK50
Adapter SK40/SK50
Adapter GWA
TP
Notes

GDS Premium segment ANCA MX, FX, TX



SHARK 5-Jaw Chuck  
Clamping range Ø 1-16 mm



Item no.: 400008051

SHARK 5-Jaw Chuck  
Clamping range Ø 3-20 mm



Item no.: 400008001

SHARK 5-Jaw Chuck  
Clamping range Ø 20-40 mm



Item no.: 400008101  
ON REQUEST

GDS Premium segment ANCA CPX



SHARK 5-Jaw Chuck  
Clamping range Ø 1-16 mm



Item no.: 400008053

SHARK 5-Jaw Chuck  
Clamping range Ø 3-20 mm



Item no.: 400008004

SHARK 5-Jaw Chuck  
Clamping range Ø 20-40 mm



Item no.: 400008102  
ON REQUEST

GDS Premium segment ANCA MX, FX, TX



µGrind booster HPS 20



Item no.: 400001008

µGrind booster HPS 20 L



Item no.: 400001009

µGrind HSK 63



Item no.: 400003001

GDS Standard segment ANCA MX, FX, TX



VIPER S Nann 3148E



Item no.: 400004021

VIPER M Nann 3409E



Item no.: 400004022

VIPER L Nann 3718E



Item no.: 400004023

VIPER XL Nann 3851E



Item no.: 400004020



Item no.: 400002002



xGrind HPS SK50



Item no.: 400005000

xGrind Hydro SK50 ø12



Item no.: 400005011

xGrind Hydro SK50 ø20



Item no.: 400005012

xGrind Hydro SK50 ø32



Item no.: 400005013

Other clamping devices on request.

GDS Premium segment Deckel/ISOG ISO/SK50



μGrind booster HPS 20 mit Überwurfmutter



Item no.: 400001047

μGrind booster HPS 20 L mit Überwurfmutter



Item no.: 400001048

GDS Premium segment Haas ISO/SK50



SHARK 5-Jaw Chuck  
Clamping range Ø 1-16 mm



Item no.: 400008054

SHARK 5-Jaw Chuck  
Clamping range Ø 3-20 mm



Item no.: 400008008

SHARK 5-Jaw Chuck  
Clamping range Ø 20-40 mm



Item no.: 400008103  
ON REQUEST

GDS Premium segment Deckel/ISOG mit Überwurfmutter



ALLIGATOR Deckel/ISOG mit Überwurfmutter



Item no.: 400002005



μGrind booster HPS 20



Art.Nr.: 400001043

μGrind booster HPS 20 L



Art.Nr.: 400001044

μGrind HSK 63



Art.Nr.: 400003000

GDS Standard segment Deckel/ISOG ISO/SK50



xGrind HPS SK50



Item no.: 400005000

xGrind Hydro SK50 ø12



Item no.: 400005011

xGrind Hydro SK50 ø20



Item no.: 400005012

xGrind Hydro SK50 ø32



Item no.: 400005013

GDS Standard segment Haas ISO/SK50



VIPER S Nann 3148E



Item no.: 400004014

VIPER M Nann 3409E



Item no.: 400004017

VIPER L Nann 3718E



Item no.: 400004012

VIPER XL Nann 3851E



Item no.: 400004013

Other clamping devices on request.

GDS Standard segment Haas ISO/SK50

**ALLIGATOR**



Item no.: 400002001

GDS Standard segment Hawema ISO/SK50

**XGRIND**

xGrind HPS SK50



Item no.: 400005000

xGrind Hydro SK50 ø12



Item no.: 400005011

xGrind Hydro SK50 ø20



Item no.: 400005012

xGrind Hydro SK50 ø32



Item no.: 400005013

Other clamping devices on request.

**XGRIND**

xGrind HPS SK50



Item no.: 400005000

xGrind Hydro SK50 ø12



Item no.: 400005011

xGrind Hydro SK50 ø20



Item no.: 400005012

xGrind Hydro SK50 ø32



Item no.: 400005013

Other clamping devices on request.

GDS Premium segment Joerg S-tech+ ISO/SK50



SHARK 5-Jaw Chuck  
Clamping range Ø 1-16 mm



Item no.: 400008055

SHARK 5-Jaw Chuck  
Clamping range Ø 3-20 mm



Item no.: 400008009

SHARK 5-Jaw Chuck  
Clamping range Ø 20-40 mm



Item no.: 400008104  
ON REQUEST

GDS Premium segment Reinecker ISO/SK50



SHARK 5-Jaw Chuck  
Clamping range Ø 1-16 mm



Item no.: 400008056

SHARK 5-Jaw Chuck  
Clamping range Ø 3-20 mm



Item no.: 400008005

SHARK 5-Jaw Chuck  
Clamping range Ø 20-40 mm



Item no.: 400008105  
ON REQUEST



µGrind booster HPS 20



Item no.: 400001025

µGrind booster HPS 20 L



Item no.: 400001026

µGrind HSK 63



Item no.: 400003003



µGrind booster HPS 20



Art.Nr.: 400001027

µGrind booster HPS 20 L



Art.Nr.: 400001028

µGrind HSK 63



Art.Nr.: 400003002

GDS Standard segment Joerg S-tech+ ISO/SK50



xGrind HPS SK50



Item no.: 400005000

xGrind Hydro SK50 ø12



Item no.: 400005011

xGrind Hydro SK50 ø20



Item no.: 400005012

xGrind Hydro SK50 ø32



Item no.: 400005013

GDS Standard segment Reinecker ISO/SK50



VIPER S Nann 3148E



Item no.: 400004024

VIPER M Nann 3409E



Item no.: 400004025

VIPER L Nann 3718E



Item no.: 400004026

VIPER XL Nann 3851E



Item no.: 400004027

Other clamping devices on request.

GDS Standard segment Reinecker ISO/SK50

**ALLIGATOR**



Item no.: 400002006

**XGRIND**

xGrind HPS SK50



Item no.: 400005000

xGrind Hydro SK50 ø12



Item no.: 400005011

xGrind Hydro SK50 ø20



Item no.: 400005012

xGrind Hydro SK50 ø32



Item no.: 400005013

Other clamping devices on request.

GDS Premium segment Saacke ISO/SK50

**SHARK**

SHARK 5-Jaw Chuck  
Clamping range Ø 1-16 mm



Item no.: 400008057

SHARK 5-Jaw Chuck  
Clamping range Ø 3-20 mm



Item no.: 400008002

SHARK 5-Jaw Chuck  
Clamping range Ø 20-40 mm



Item no.: 400008106  
ON REQUEST

**μGRIND booster**

μGrind booster HPS 20  
mit Plananlage



Item no.: 400001029

μGrind booster HPS 20 L  
mit Plananlage



Item no.: 400001030

μGrind HSK 63



Item no.: 400003009

μGrind booster HPS 20  
mit Überwurfmutter



Item no.: 400001045

μGrind booster HPS 20 L  
mit Überwurfmutter



Item no.: 400001046

GDS Standard segment Saacke ISO/SK50

**ALLIGATOR**

ALLIGATOR Saacke mit Überwurfmutter



Item no.: 400002003

ALLIGATOR Saacke mit Plananlage



Item no.: 400002004

**XGRIND**

xGrind HPS SK50



Item no.: 400005000

xGrind Hydro SK50 ø12



Item no.: 400005011

xGrind Hydro SK50 ø20



Item no.: 400005012

xGrind Hydro SK50 ø32



Item no.: 400005013

Other clamping devices on request.

GDS Premium segment Schneeberger ISO/SK50

**SHARK**

SHARK 5-Jaw Chuck  
Clamping range Ø 1-16 mm



Item no.: 400008058

SHARK 5-Jaw Chuck  
Clamping range Ø 3-20 mm



Item no.: 400008003

SHARK 5-Jaw Chuck  
Clamping range Ø 20-40 mm



Item no.: 400008107  
ON REQUEST

**μGRIND booster**

μGrind booster HPS 20



Art.Nr.: 400001041

μGrind booster HPS 20 L



Art.Nr.: 400001042

μGrind HSK 63



Art.Nr.: 400003004

GDS Standard segment Schneeberger ISO/SK50

**XGRIND**

xGrind HPS SK50



Item no.: 400005000

xGrind Hydro SK50 ø12



Item no.: 400005011

xGrind Hydro SK50 ø20



Item no.: 400005012

xGrind Hydro SK50 ø32



Item no.: 400005013

Other clamping devices on request.

GDS Premium segment Schütte ISO/SK50



SHARK 5-Jaw Chuck  
Clamping range  $\varnothing$  1-16 mm



Item no.: 400008059

SHARK 5-Jaw Chuck  
Clamping range  $\varnothing$  3-20 mm



Item no.: 400008007

SHARK 5-Jaw Chuck  
Clamping range  $\varnothing$  20-40 mm



Item no.: 400008108  
ON REQUEST

GDS Premium segment SMP ISO/SK50



μGrind booster HPS 20



Item no.: 400001033

μGrind booster HPS 20 L



Item no.: 400001034

μGrind HSK 63



Item no.: 400003010



μGrind booster HPS 20



Item no.: 400001031

μGrind booster HPS 20 L



Item no.: 400001032

μGrind HSK 63



Item no.: 400003005

GDS Standard segment SMP ISO/SK50



xGrind HPS SK50



Item no.: 400005000

xGrind Hydro SK50  $\varnothing$ 12



Item no.: 400005011

xGrind Hydro SK50  $\varnothing$ 20



Item no.: 400005012

xGrind Hydro SK50  $\varnothing$ 32



Item no.: 400005013

GDS Standard segment Schütte ISO/SK50



xGrind HPS SK50



Item no.: 400005000

xGrind Hydro SK50  $\varnothing$ 12



Item no.: 400005011

xGrind Hydro SK50  $\varnothing$ 20



Item no.: 400005012

xGrind Hydro SK50  $\varnothing$ 32



Item no.: 400005013

Other clamping devices on request.

Other clamping devices on request.

GDS Premium segment Star ISO/SK50



SHARK 5-Jaw Chuck  
Clamping range  $\varnothing$  1-16 mm



Item no.: 400008060

SHARK 5-Jaw Chuck  
Clamping range  $\varnothing$  3-20 mm



Item no.: 400008010

SHARK 5-Jaw Chuck  
Clamping range  $\varnothing$  20-40 mm



Item no.: 400008109  
ON REQUEST

GDS Premium segment Strausak ISO/SK50



SHARK 5-Jaw Chuck  
Clamping range  $\varnothing$  1-16 mm



Item no.: 400008061

SHARK 5-Jaw Chuck  
Clamping range  $\varnothing$  3-20 mm



Item no.: 400008011

SHARK 5-Jaw Chuck  
Clamping range  $\varnothing$  20-40 mm



Item no.: 400008110  
ON REQUEST



μGrind booster HPS 20



Item no.: 400001035

μGrind booster HPS 20 L



Item no.: 400001036

μGrind HSK 63



Item no.: 400003006



μGrind booster HPS 20



Art.Nr.: 400001037

μGrind booster HPS 20 L



Art.Nr.: 400001038

μGrind HSK 63



Art.Nr.: 400003007

GDS Standard segment Star ISO/SK50



xGrind HPS SK50



Item no.: 400005000

xGrind Hydro SK50  $\varnothing$ 12



Item no.: 400005011

xGrind Hydro SK50  $\varnothing$ 20



Item no.: 400005012

xGrind Hydro SK50  $\varnothing$ 32



Item no.: 400005013

GDS Standard segment Strausak ISO/SK50



xGrind HPS SK50



Item no.: 400005000

xGrind Hydro SK50  $\varnothing$ 12



Item no.: 400005011

xGrind Hydro SK50  $\varnothing$ 20



Item no.: 400005012

xGrind Hydro SK50  $\varnothing$ 32



Item no.: 400005013

Other clamping devices on request.

Other clamping devices on request.

GDS Premium segment TGT ISO/SK50



SHARK 5-Jaw Chuck  
Clamping range  $\varnothing$  1-16 mm



Item no.: 400008062

SHARK 5-Jaw Chuck  
Clamping range  $\varnothing$  3-20 mm



Item no.: 400008012

SHARK 5-Jaw Chuck  
Clamping range  $\varnothing$  20-40 mm



Item no.: 400008111  
ON REQUEST



μGrind booster HPS 20



Item no.: 400001039

μGrind booster HPS 20 L



Item no.: 400001040

μGrind HSK 63



Item no.: 400003008

GDS Standard segment TGT ISO/SK50



xGrind HPS SK50



Item no.: 400005000

xGrind Hydro SK50  $\varnothing$ 12



Item no.: 400005011

xGrind Hydro SK50  $\varnothing$ 20



Item no.: 400005012

xGrind Hydro SK50  $\varnothing$ 32



Item no.: 400005013

Other clamping devices on request.

GDS Premium segment Vollmer



SHARK 5-Jaw Chuck  
Clamping range  $\varnothing$  1-16 mm



Item no.: 400008063

SHARK 5-Jaw Chuck  
Clamping range  $\varnothing$  3-20 mm



Item no.: 400008006

SHARK 5-Jaw Chuck  
Clamping range  $\varnothing$  20-40 mm



Item no.: 400008113  
ON REQUEST



μGrind booster HPS 20 L SK50



Item no.: 400001022

μGrind booster HPS 20 L Standard



Item no.: 400001024

GDS Standard segment Vollmer



Item no.: 400002010



xGrind HPS SK50



Item no.: 400005000

xGrind Hydro SK50  $\varnothing$ 12



Item no.: 400005011

xGrind Hydro SK50  $\varnothing$ 20



Item no.: 400005012

xGrind Hydro SK50  $\varnothing$ 32



Item no.: 400005013

Other clamping devices on request.

GDS Premium segment Walter ISO/SK50



SHARK 5-Jaw Chuck  
Clamping range Ø 1-16 mm



Item no.: 400008052

SHARK 5-Jaw Chuck  
Clamping range Ø 3-20 mm



Item no.: 400008000

SHARK 5-Jaw Chuck  
Clamping range Ø 20-40 mm



Item no.: 400008112  
ON REQUEST



µGrind booster HPS 20



Item no.: 400001000

µGrind booster HPS 20 L



Item no.: 400001001

µGrind HSK 63



Item no.: 400003000

GDS Standard segment Walter ISO/SK50



VIPER S Nann 3148E



Item no.: 400004014

VIPER M Nann 3409E



Item no.: 400004017

VIPER L Nann 3718E



Item no.: 400004012

VIPER XL Nann 3851E



Item no.: 400004013



Item no.: 400002001



xGrind HPS SK50



Item no.: 400005000

xGrind Hydro SK50 ø12



Item no.: 400005011

xGrind Hydro SK50 ø20



Item no.: 400005012

xGrind Hydro SK50 ø32



Item no.: 400005013

Other clamping devices on request.

GDS Standard segment Walter ISO/SK50



Version for **NANN** collets.

<p>COBRA 3148E L68</p>  <p>Item no.: 400007010</p>	<p>COBRA 3409E L68</p>  <p>Item no.: 400007030</p>	<p>COBRA 3718E L60</p>  <p>Item no.: 400007050</p>	<p>COBRA 3851E L60</p>  <p>Item no.: 400007070</p>
<p>COBRA 3148E L98</p>  <p>Item no.: 400007020</p>	<p>COBRA 3409E L98</p>  <p>Item no.: 400007040</p>	<p>COBRA 3718E L90</p>  <p>Item no.: 400007060</p>	



Version for Schaublin collets.

<p>COBRA W15 L95</p>  <p>Item no.: 400007110</p>	<p>COBRA W20 L98</p>  <p>Item no.: 400007120</p>	<p>COBRA W25 L98</p>  <p>Item no.: 400007130</p>
---	---	---





GDS Premium segment Walter ISO/SK40



<p>μGrind booster HPS 20 G200</p>  <p>Item no.: 400001017</p>	<p>μGrind booster HPS 20 Mini/Micro (neue A-Achse)</p>  <p>Item no.: 400001020</p>	<p>μGrind booster HPS 20 Mini (alte A-Achse)</p>  <p>Item no.: 400001018</p>	<p>μGrind booster HPS 20 Micro old (alte A-Achse)</p>  <p>Item no.: 400001006</p>
--	---	---	--

GDS Standard segment Walter ISO/SK40



<p>VIPER S Nann 3148E Mini/G200</p>  <p>Item no.: 400004018</p>	<p>VIPER S Nann 3148E Micro</p>  <p>Item no.: 400004019</p>	<p>VIPER M Nann 3409E Mini/G200</p>  <p>Item no.: 400004003</p>	<p>VIPER M Nann 3409E Micro</p>  <p>Item no.: 400004002</p>
--	--	--	--

SHARK - the 5-Jaw Chuck in high-precision GDS quality!



The modern grinding process is becoming increasingly complex: extreme accuracy, perfect quality and reduction of set-up times under enormous price pressure. To meet these requirements, GDS has developed the SHARK multi-range clamping system.

Specially designed for use in changing clamping ranges, it enables you to directly clamp your workpieces fully automatically, in the diameter range from 3 mm to 20 mm. You need neither collets nor intermediate sleeves and can also clamp special diameters and intermediate dimensions without further ado and with process reliability. Your set-up time is reduced to a minimum and you achieve a set-up cost saving of up to 70 % compared to regular clamping devices.

The SHARK is just as suitable for manufacturing new tools as it is for resharpening.

\* The color of the ring depends on the machine manufacturer.

Technical data:


Number of chuck jaws	min. Total clamping depth (mm)	min. Clamping depth (mm)	Clamping range (mm)	Weight (kg)	Ø outside (mm)	Chuck length (mm)
5	100	2,5 x D	1-16 mm	6,7	148	122,5
5	100	2,5 x D	3-20 mm	6,7	148	122,5
5		2,5 x D	20-40 mm			

Suitable for ISO/SK50 tool grinding machines

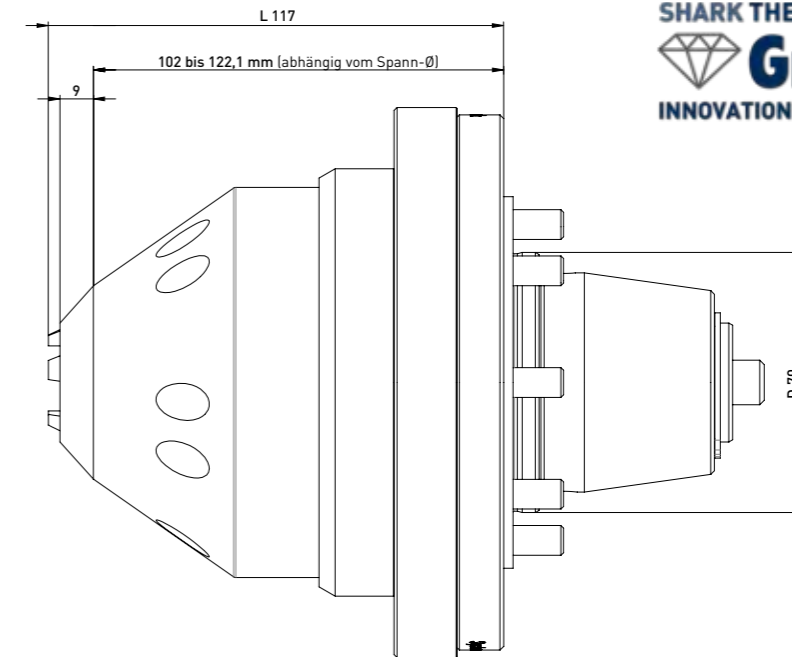


With the SHARK, the clamping jaws are in the same axial position at all times. Due to the uniquely newly developed solid jaw guide, the wobble can be reduced to a minimum. Together with the high concentricity and repeatability, as well as low interfering contours, you achieve process reliability and best results even with difficult processes. During operation, the chuck is cleaned with active sealing air. This prevents contamination and maintains absolute precision over the long term.

The **SHARK 5-Jaw Chuck** is designed exclusively for **automatic operation**.



SHARK 5-Jaw Chuck for ISO/SK 50  
Clamping range 1 to 16 mm



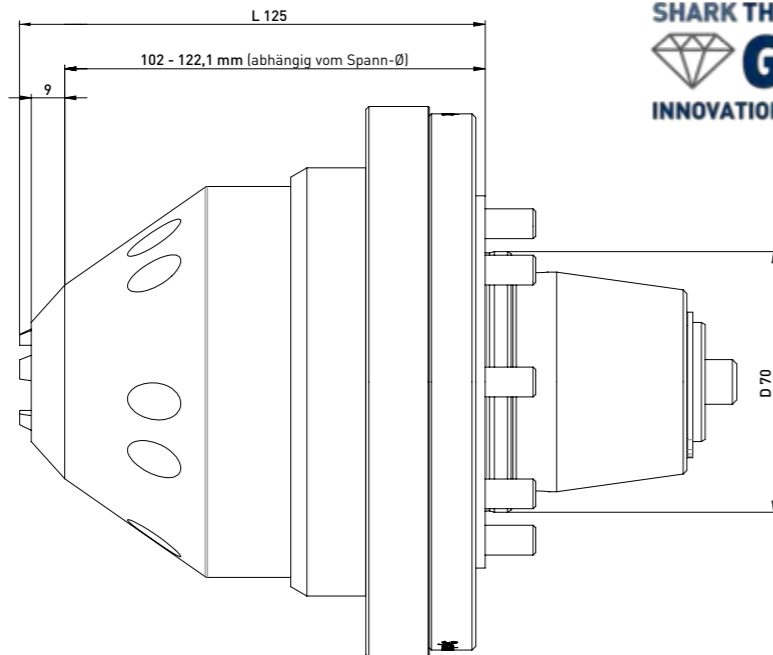
Delivery includes:

SHARK multi-range tensioning system, tension days, compression spring, adjusting mandrel D20d12, mounting screws, tensioning wrench SW6x350, tensioning wrench SW6x150, knocker D30x155, double socket wrench SW24 x 27, test certificate.

Item no.	Name	Ring color	Clamping range	D	L
400008051	SHARK ANCA MX, FX, TX	Red	1-16 mm	70	117
400008053	SHARK ANCA CPX	Red	1-16 mm	70	117
400008054	SHARK Haas	Black	1-16 mm	70	117
400008055	SHARK Joerg S-tech+	Gold	1-16 mm	70	117
400008056	SHARK Reinecker	Gold	1-16 mm	70	117
400008057	SHARK Saacke	Black	1-16 mm	70	117
400008058	SHARK Schneeberger	Green	1-16 mm	70	117
400008059	SHARK Schütte	Light blue	1-16 mm	70	117
400008060	SHARK Star	Black	1-16 mm	70	117
400008061	SHARK Strausak	Blue	1-16 mm	70	117
400008062	SHARK TGT	Blue	1-16 mm	70	117
400008063	SHARK Vollmer	Orange	1-16 mm	70	117
400008052	SHARK Walter	Blue	1-16 mm	70	117

**SHARK 5-Jaw Chuck for ISO/SK 50**

Clamping range 3 to 20 mm



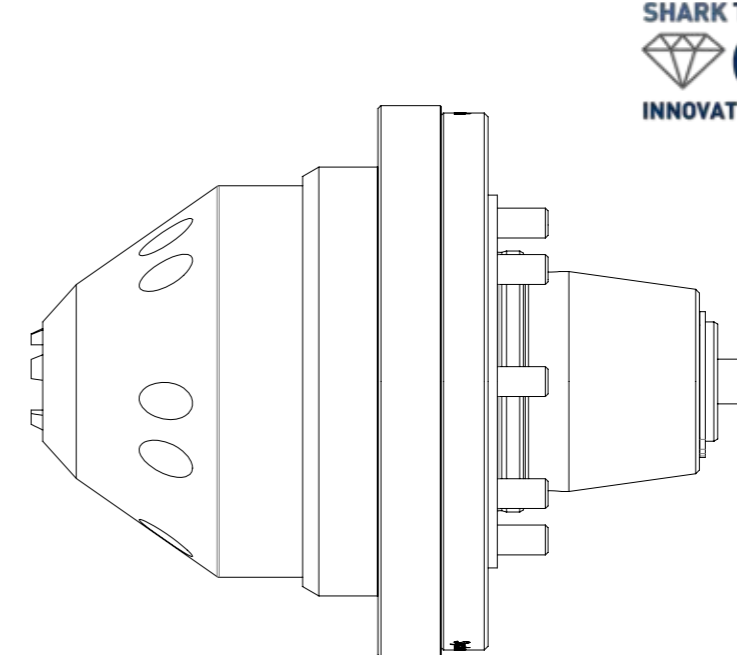
**Delivery includes:**

SHARK multi-range tensioning system, tension days, compression spring, adjusting mandrel D20d12, mounting screws, tensioning wrench SW6x350, tensioning wrench SW6x150, knocker D30x155, double socket wrench SW24 x 27, test certificate.

Item no.	Name	Ring color	Clamping range	D	L
400008001	SHARK ANCA MX, FX, TX	Red	3-20 mm	70	125
400008004	SHARK ANCA CPX	Red	3-20 mm	70	125
400008008	SHARK Haas	Black	3-20 mm	70	125
400008009	SHARK Joerg S-tech <sup>+</sup>	Gold	3-20 mm	70	125
400008005	SHARK Reinecker	Gold	3-20 mm	70	125
400008002	SHARK Saacke	Black	3-20 mm	70	125
400008003	SHARK Schneeberger	Green	3-20 mm	70	125
400008007	SHARK Schütte	Light blue	3-20 mm	70	125
400008010	SHARK Star	Black	3-20 mm	70	125
400008011	SHARK Strausak	Blue	3-20 mm	70	125
400008012	SHARK TGT	Blue	3-20 mm	70	125
400008006	SHARK Vollmer	Orange	3-20 mm	70	125
400008000	SHARK für Walter	Blue	3-20 mm	70	125

**SHARK 5-Jaw Chuck for ISO/SK 50**

Clamping range 20 to 40 mm



**Delivery includes:**

SHARK multi-range tensioning system, tension days, compression spring, adjusting mandrel D20d12, mounting screws, tensioning wrench SW6x350, tensioning wrench SW6x150, knocker D30x155, double socket wrench SW24 x 27, test certificate.

Item no.	Name	Ring color	Clamping range	
400008101	SHARK ANCA MX, FX, TX	Red	20-40 mm	ON REQUEST
400008102	SHARK ANCA CPX	Red	20-40 mm	ON REQUEST
400008103	SHARK Haas	Black	20-40 mm	ON REQUEST
400008104	SHARK Joerg S-tech <sup>+</sup>	Gold	20-40 mm	ON REQUEST
400008105	SHARK Reinecker	Gold	20-40 mm	ON REQUEST
400008106	SHARK Saacke	Black	20-40 mm	ON REQUEST
400008107	SHARK Schneeberger	Green	20-40 mm	ON REQUEST
400008108	SHARK Schütte	Light blue	20-40 mm	ON REQUEST
400008109	SHARK Star	Black	20-40 mm	ON REQUEST
400008110	SHARK Strausak	Blue	20-40 mm	ON REQUEST
400008111	SHARK TGT	Blue	20-40 mm	ON REQUEST
400008113	SHARK Vollmer	Orange	20-40 mm	ON REQUEST
400008112	SHARK Walter	Blue	20-40 mm	ON REQUEST

The μGrind booster HPS20 automatic chuck offers a 2-plane adjustment to eliminate axial and radial runout in just a few minutes.



GDS developed the μGrind series specifically for use on tool grinding machines, which made this series an innovation in the field of high-precision clamping devices for tool grinding.

This series offers accurate concentricity and repeatability, with runout holding under two microns at 2.5 x D.

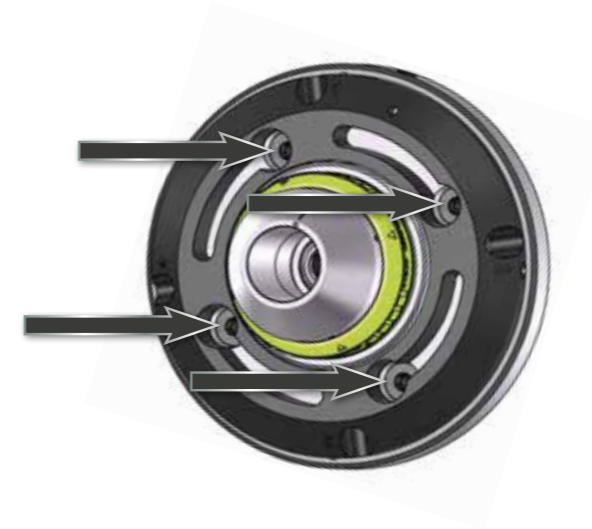
Excellent damping properties for uniform material removal while optimizing feed rates. The workpiece surface finish is perfectly consistent and grinding wheel wear is significantly reduced. This makes your grinding process highly productive and predictable.

Best dimensional stability at the cutting edge. Tapered profile for excellent wheel clearance. Setup with micron-level accuracy in just a few minutes by using two gauges, with absolute repeatability when changing blanks or collets (to change diameters).

\* The color of the ring depends on the machine manufacturer.



Setup - Concentric with the machine



Setup - Parallel with the machine



Quick and easy alignment of axial runout and wobble adjustment – the μGrind yields a new dimension in grinding precision.



Tapered profile for optimal wheel clearance.

Accurate concentricity and repeatability. Runout under 0.002 mm at 2.5 x D.

Wobble adjustment.

Concentricity alignment.

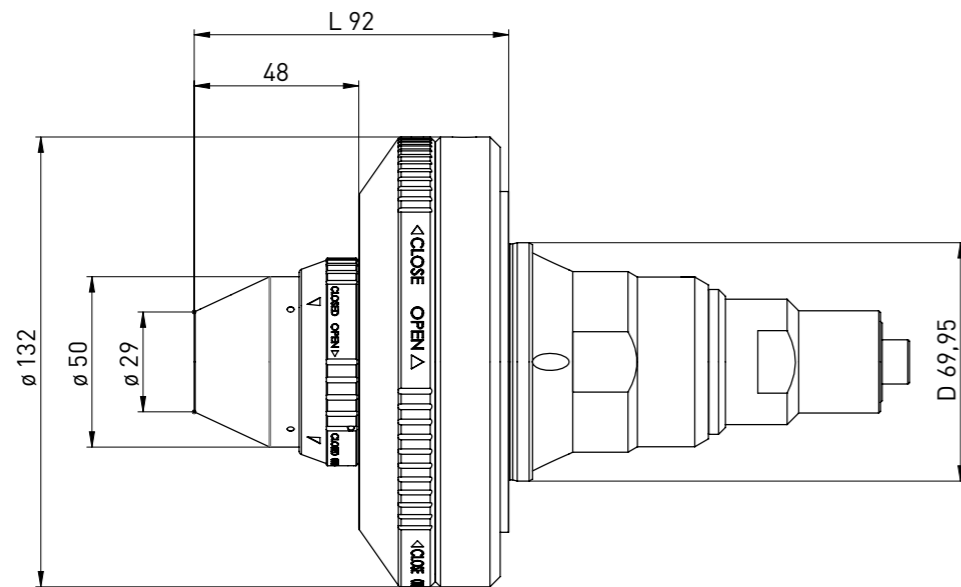
Wide clamping range due to special collets.

Requires a relatively short clamping length on the blank to achieve constant holding force and concentricity at 2.5 x D.

Excellent dampening properties with very low wearout.

Sustainable investment due to excellent durability and repair options.

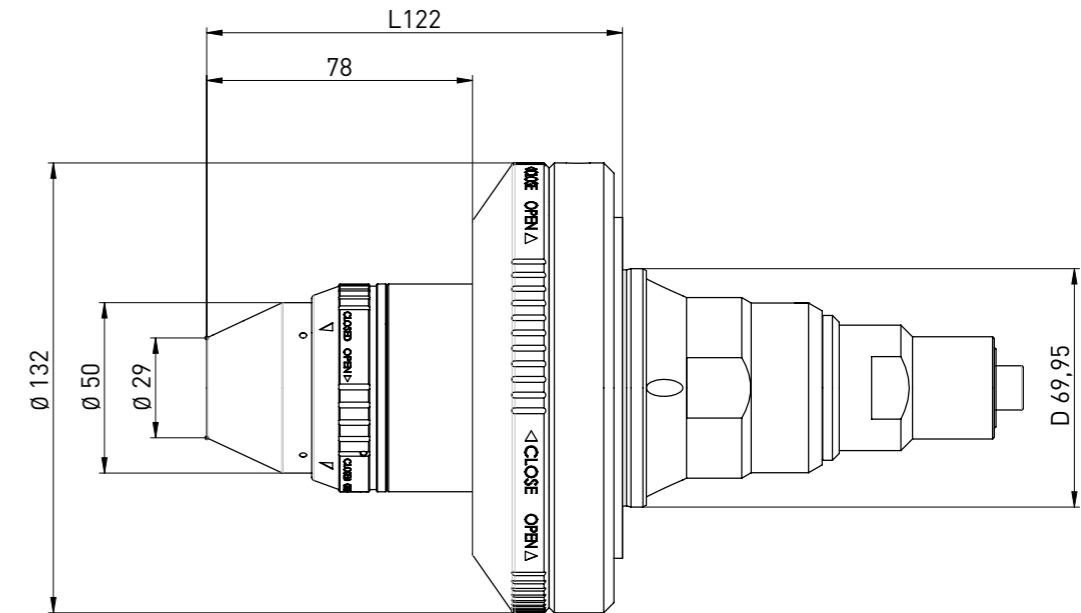
μGrind booster HPS 20 for ISO/SK 50



Delivery includes: push rod, alignment hammer, assembly tool, test certificate, operating instructions

Item no.	Name	Ring color	D	L
400001043	μGrind booster HPS 20 Haas	Black	69,95	92
400001025	μGrind booster HPS 20 Joerg S-tech <sup>+</sup>	Gold	69,95	92
400001027	μGrind booster HPS 20 Reinecker	Gold	69,95	92
400001029	μGrind booster HPS 20 Saacke	Black	69,95	92
400001041	μGrind booster HPS 20 Schneeberger	Green	69,95	92
400001031	μGrind booster HPS 20 Schütte	Hellblau	69,95	92
400001033	μGrind booster HPS 20 SMP	Lila	69,95	92
400001035	μGrind booster HPS 20 Star	Black	69,95	92
400001037	μGrind booster HPS 20 Strausak	Blue	69,95	92
400001039	μGrind booster HPS 20 TGT	Blue	69,95	92
400001000	μGrind booster HPS 20 Walter	Blue	69,95	92

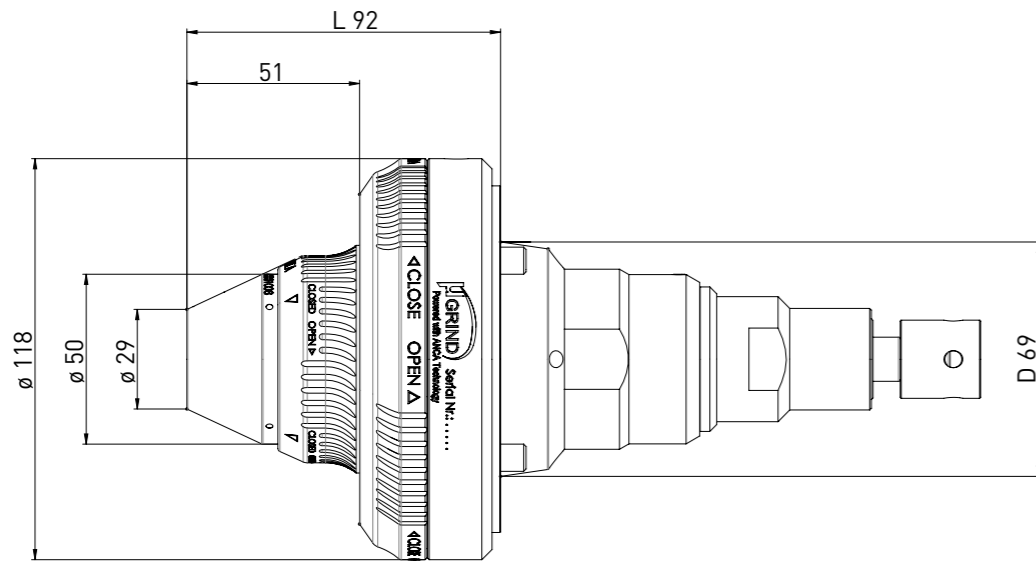
μGrind booster HPS 20 L for ISO/SK 50



Delivery includes: push rod, alignment hammer, assembly tool, test certificate, operating instructions

Item no.	Name	Ring color	D	L
400001044	μGrind booster HPS 20 L Haas	Black	69,95	122
400001026	μGrind booster HPS 20 L Joerg S-tech <sup>+</sup>	Gold	69,95	122
400001028	μGrind booster HPS 20 L Reinecker	Gold	69,95	122
400001030	μGrind booster HPS 20 L Saacke	Black	69,95	122
400001042	μGrind booster HPS 20 L Schneeberger	Green	69,95	122
400001032	μGrind booster HPS 20 L Schütte	Hellblau	69,95	122
400001034	μGrind booster HPS 20 L SMP	Lila	69,95	122
400001036	μGrind booster HPS 20 L Star	Black	69,95	122
400001038	μGrind booster HPS 20 L Strausak	Blue	69,95	122
400001040	μGrind booster HPS 20 L TGT	Blue	69,95	122
400001001	μGrind booster HPS 20 L Walter	Blue	69,95	122

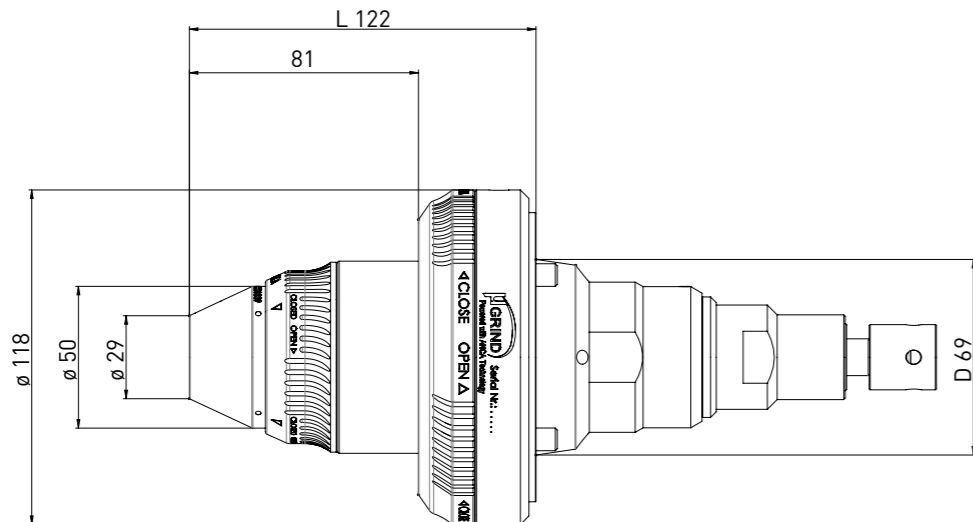
μGrind booster HPS 20 ANCA for ISO/SK 50



**Delivery includes:** Alignment hammer, assembly tool, test certificate, operating instructions  
Pressure bar available separately on page 41 as an accessory.

Item no.	Name	Ring color	D	L
400001008	μGrind booster HPS 20 ANCA	Red	69	92

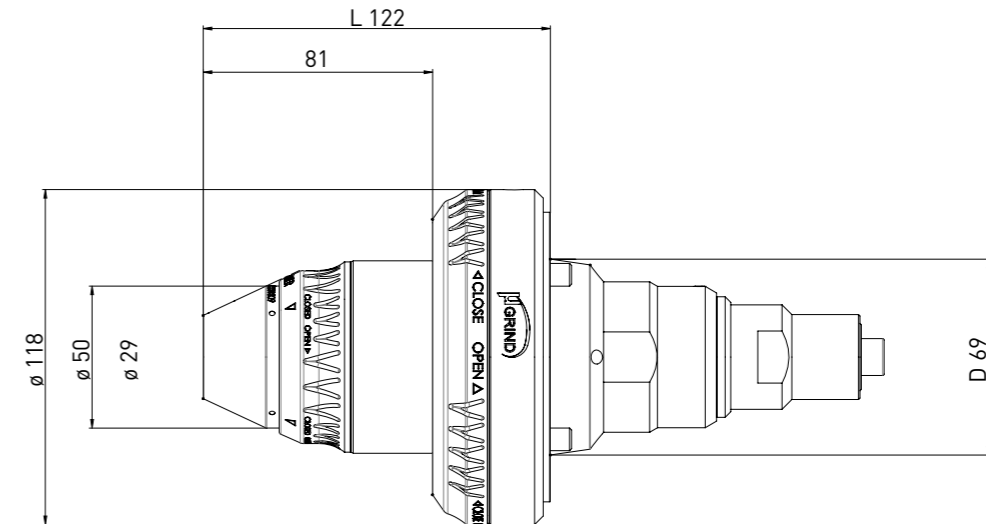
μGrind booster HPS 20 L ANCA for ISO/SK 50



**Delivery includes:** Alignment hammer, assembly tool, test certificate, operating instructions  
Pressure bar available separately on page 41 as an accessory.

Item no.	Name	Ring color	D	L
400001009	μGrind booster HPS 20 L ANCA	Red	69	122

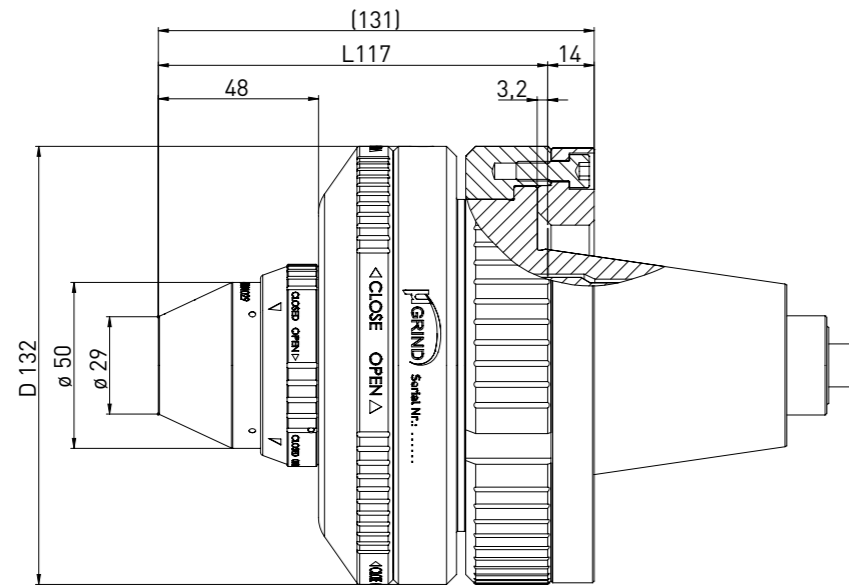
μGrind booster HPS 20 L Vollmer for ISO/SK 50



**Delivery includes:** Push rod, alignment hammer, assembly tool, test certificate, operating instructions

Item no.	Name	Ring color	D	L
400001022	μGrind booster HPS 20 L Vollmer SK50	Orange	69	122
400001024	μGrind booster HPS 20 L Vollmer Standard	Orange	69	122

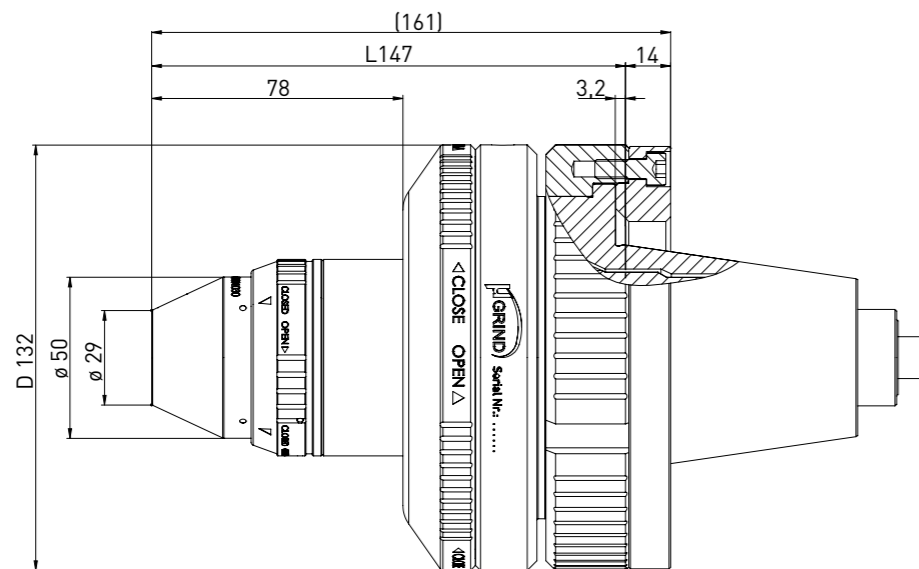
μGrind booster HPS 20 with union nut Deckel/ISOG for ISO/SK 50



Delivery includes: Push rod, alignment hammer, assembly tool, test certificate, operating instructions

Item no.	Name	Ring color	D	L
400001047	μGrind booster HPS 20 with union nut Deckel/ISOG	Black	132	117

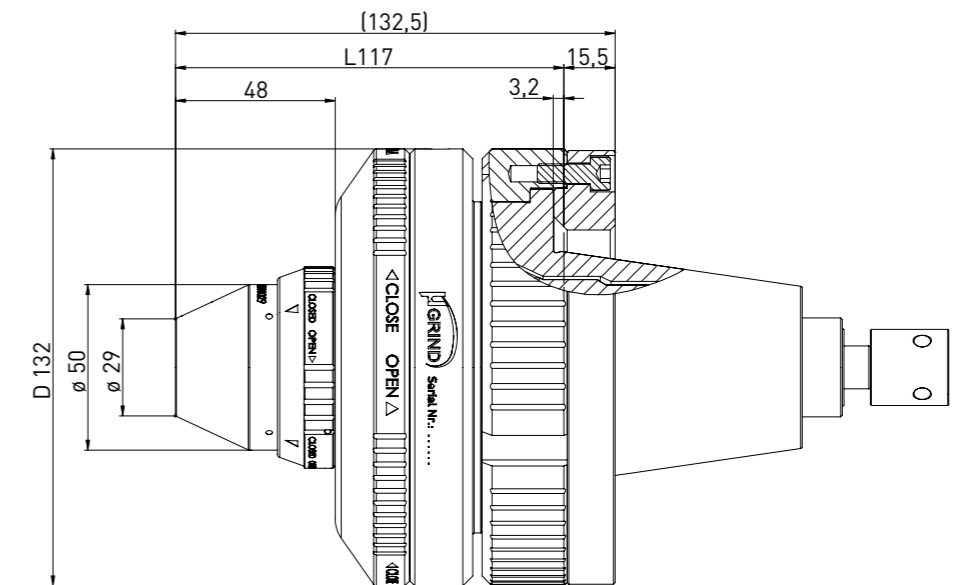
μGrind booster HPS 20 L with union nut Deckel/ISOG for ISO/SK 50



Delivery includes: Push rod, alignment hammer, assembly tool, test certificate, operating instructions

Item no.	Name	Ring color	D	L
400001048	μGrind booster HPS 20 L with union nut Deckel/ISOG	Black	132	147

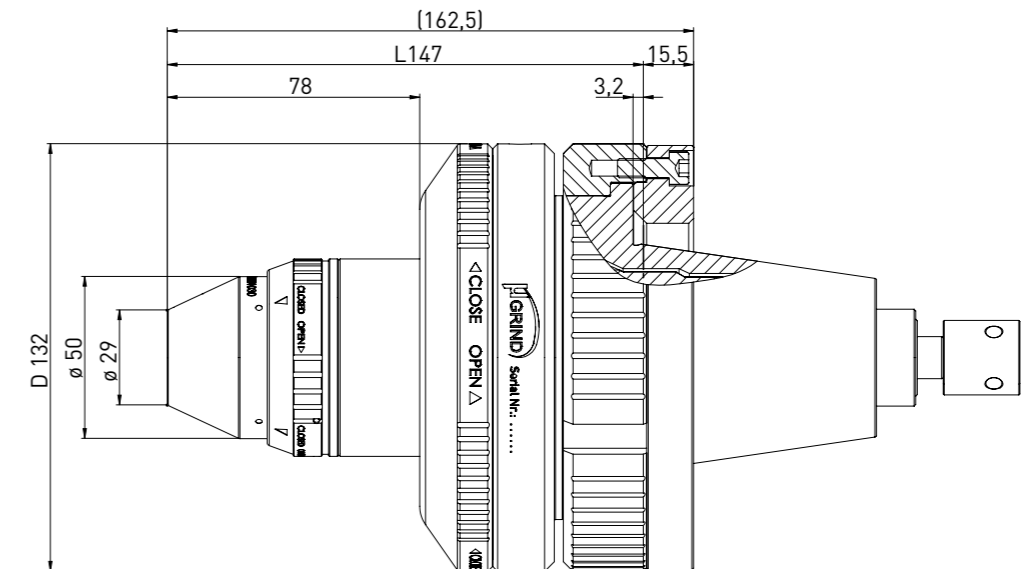
μGrind booster HPS 20 with union nut Saacke for ISO/SK 50



Delivery includes: Push rod, alignment hammer, assembly tool, test certificate, operating instructions

Item no.	Name	Ring color	D	L
400001045	μGrind booster HPS 20 with union nut Saacke	Black	132	117

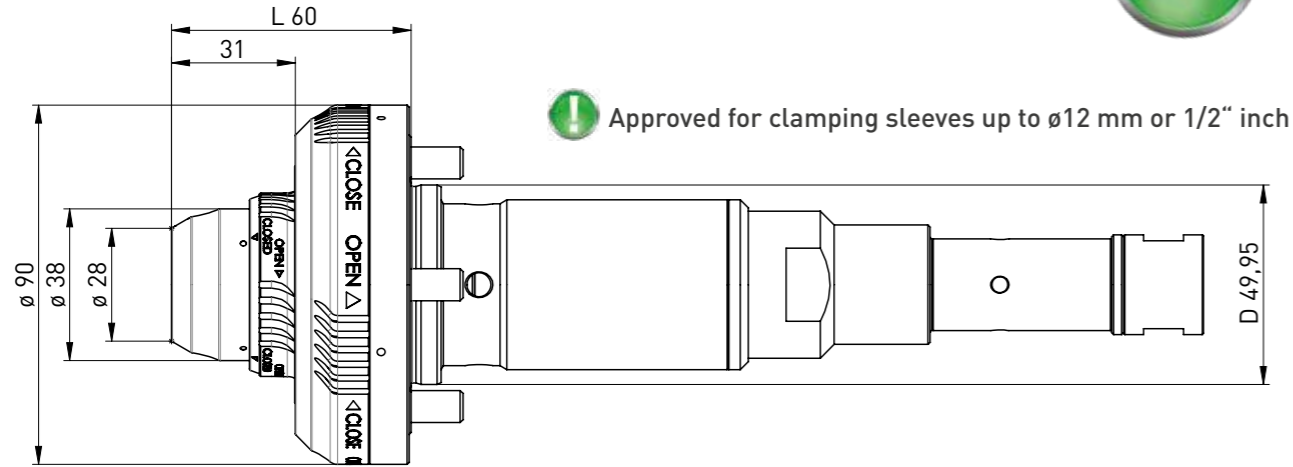
μGrind booster HPS 20 L with union nut Saacke for ISO/SK 50



Delivery includes: Push rod, alignment hammer, assembly tool, test certificate, operating instructions

Item no.	Name	Ring color	D	L
400001046	μGrind booster HPS 20 L with union nut Saacke	Black	132	147

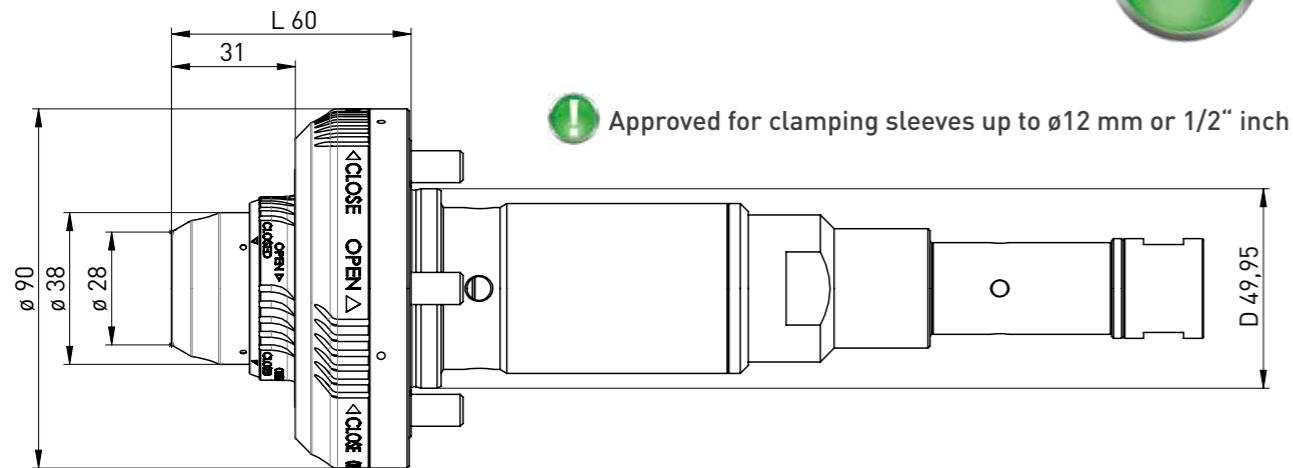
μGrind booster HPS 20 G200 for ISO/SK 40



Delivery includes: Push rod, alignment hammer, assembly tool, test certificate, operating instructions

Item no.	Name	Ring color	D	L
400001017	μGrind booster HPS 20 Walter G200	Green	49,95	60

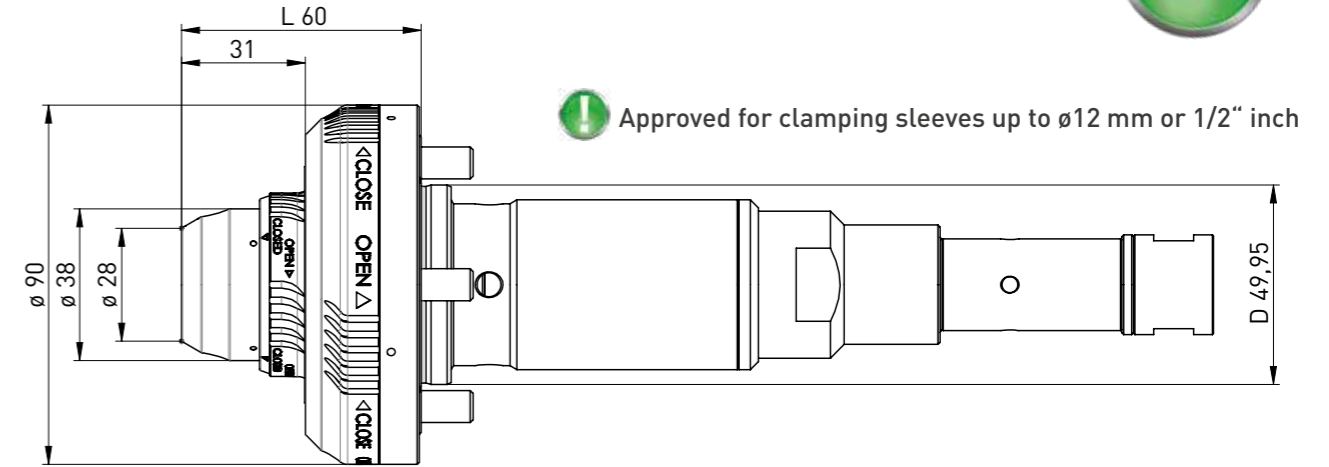
μGrind booster HPS 20 Mini/Micro (new A axis) for ISO/SK 40



Delivery includes: Push rod, alignment hammer, assembly tool, test certificate, operating instructions

Item no.	Name	Ring color	D	L
400001020	μGrind booster HPS 20 Mini/Micro (new A axis) Walter	Green	49,95	60

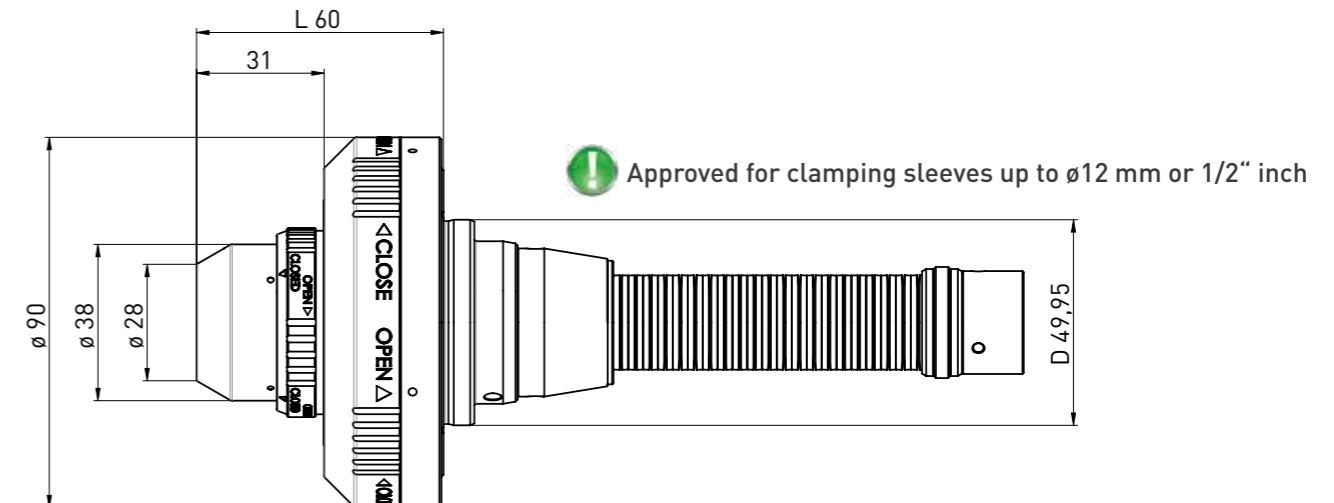
μGrind booster HPS 20 Mini (old A axis) for ISO/SK 40



Delivery includes: Push rod, alignment hammer, assembly tool, test certificate, operating instructions

Item no.	Name	Ring color	D	L
400001018	μGrind booster HPS20 Mini (old A axis) Walter	Green	49,95	60

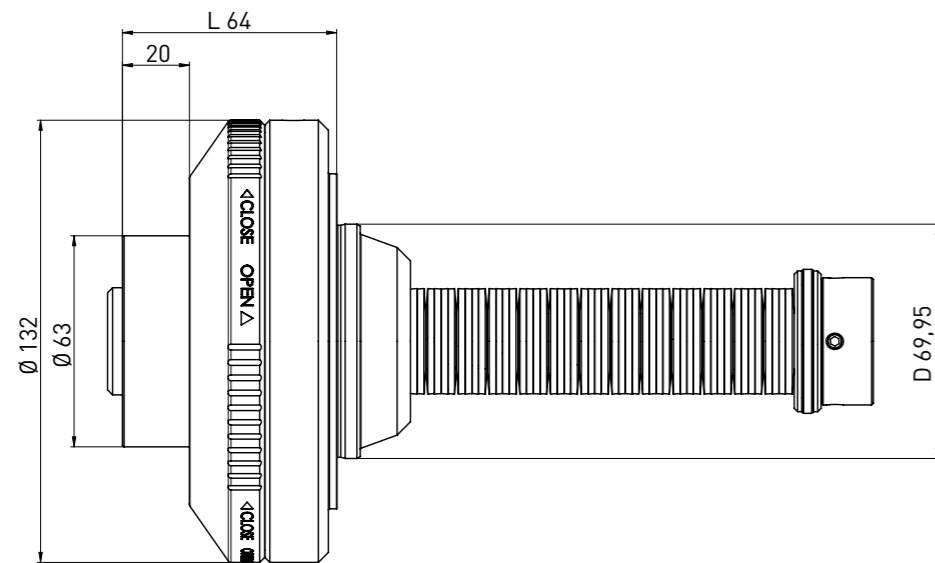
μGrind booster HPS Micro (old A axis) for ISO/SK 40



Delivery includes: Push rod, alignment hammer, assembly tool, test certificate, operating instructions

Item no.	Name	Ring color	D	L
400001006	μGrind booster HPS20 Micro (old A axis) Walter	Green	49,95	60

μGrind booster HSK 63 for ISO/SK 50



Delivery includes: Push rod, alignment hammer, assembly tool, test certificate, operating instructions

Item no.	Name	Ring color	D	L
400003001	μGrind HSK 63 ANCA	Black	69,95	64
400003000	μGrind HSK 63 Haas	Black	69,95	64
400003003	μGrind HSK 63 Joerg S-tech+	Black	69,95	64
400003002	μGrind HSK 63 Reinecker	Black	69,95	64
400003009	μGrind HSK 63 Saacke	Black	69,95	64
400003004	μGrind HSK 63 Schneeberger	Black	69,95	64
400003005	μGrind HSK 63 Schütte	Black	69,95	64
400003010	μGrind HSK 63 SMP	Black	69,95	64
400003006	μGrind HSK 63 Star	Black	69,95	64
400003007	μGrind HSK 63 Strausak	Black	69,95	64
400003008	μGrind HSK 63 TGT	Black	69,95	64
400003000	μGrind HSK 63 Walter	Black	69,95	64

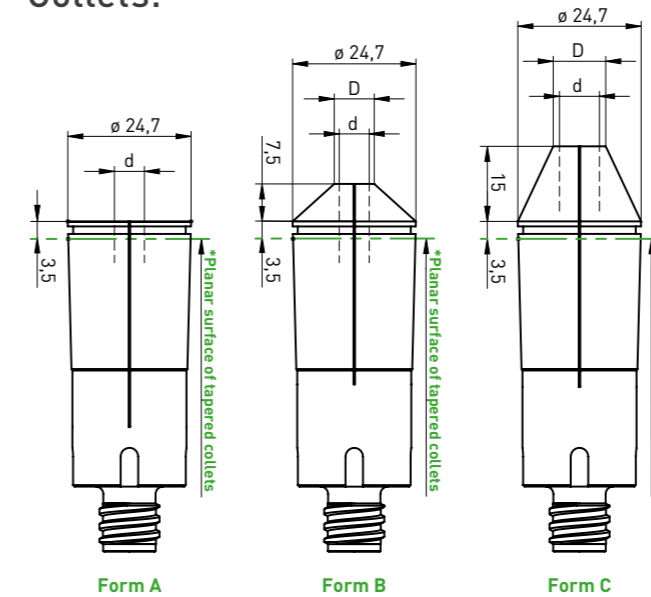
Accessories for all μGrind booster chucks:

Item no.	Name
350270002	Alignment set HPS (excl. dial gauges) incl. collet ø8 and ø10 Adjusting pin ø8 and ø10
350270003	Dial gauges (2 pcs.)

Accessories for μGrind booster ANCA:

Item no.	Name
350290010	Push rod ANCA FX EM 134.6
350290011	Push rod ANCA MX7 EM 134.6
350290012	Push rod ANCA TX EM 134.6

Collets:



Item no.	Name - ø d	Form
350260003	HPS Collets 20 - ø3 mm	A
350260004	HPS Collets 20 - ø4 mm	A
350260005	HPS Collets 20 - ø5 mm	A
350260006	HPS Collets 20 - ø6 mm	A
350260007	HPS Collets 20 - ø7 mm	A
350260008	HPS Collets 20 - ø8 mm	A
350260009	HPS Collets 20 - ø9 mm	A
350260010	HPS Collets 20 - ø10 mm	A
350260011	HPS Collets 20 - ø11 mm	A
350260012	HPS Collets 20 - ø12 mm	A

Item no.	Name - ø d	Form
350260013	HPS Collets 20 - ø13 mm	A
350260014	HPS Collets 20 - ø14 mm	A
350260015	HPS Collets 20 - ø15 mm	A
350260016	HPS Collets 20 - ø16 mm	A
350260017	HPS Collets 20 - ø17 mm	A
350260018	HPS Collets 20 - ø18 mm	A
350260019	HPS Collets 20 - ø19 mm	A
350260020	HPS Collets 20 - ø20 mm	A
350260201	HPS Collets 20 - ø1/8"	A
350260202	HPS Collets 20 - ø3/16"	A
350260203	HPS Collets 20 - ø1/4"	A
350260204	HPS Collets 20 - ø5/16"	A
350260205	HPS Collets 20 - ø3/8"	A
350260206	HPS Collets 20 - ø7/16"	A
350260207	HPS Collets 20 - ø1/2"	A
350260208	HPS Collets 20 - ø9/16"	A
350260209	HPS Collets 20 - ø5/8"	A
350260210	HPS Collets 20 - ø11/16"	A
350260211	HPS Collets 20 - ø3/4"	A
350260130	HPS Collets 20K - ø2,35 mm	B
350260103	HPS Collets 20K - ø3 mm	B
350260104	HPS Collets 20K - ø4 mm	B
350260105	HPS Collets 20K - ø5 mm	B
350260106	HPS Collets 20K - ø6 mm	B
350260301	HPS Collets 20K - ø1/8"	B
350260302	HPS Collets 20K - ø3/16"	B
350260303	HPS Collets 20K - ø1/4"	B
350260107	HPS Collets 20K - ø7 mm	C
350260108	HPS Collets 20K - ø8 mm	C
350260109	HPS Collets 20K - ø9 mm	C
350260110	HPS Collets 20K - ø10 mm	C
350260111	HPS Collets 20K - ø11 mm	C
350260112	HPS Collets 20K - ø12 mm	C
350260304	HPS Collets 20K - ø5/16"	C
350260305	HPS Collets 20K - ø3/8"	C
350260306	HPS Collets 20K - ø7/16"	C
350260307	HPS Collets 20K - ø1/2"	C

VIPER is the **powerhouse** of our GDS clamping series.  
Precise, fast, versatile and strong – **perfectly equipped for all applications.**



VIPER technology has been specially developed for use on modern high-performance grinding centers.

Highest holding forces enable a stable grinding process. Flexible handling with high repeat precision are the prerequisites for the economically optimized production and resharping of rotationally symmetrical tools.

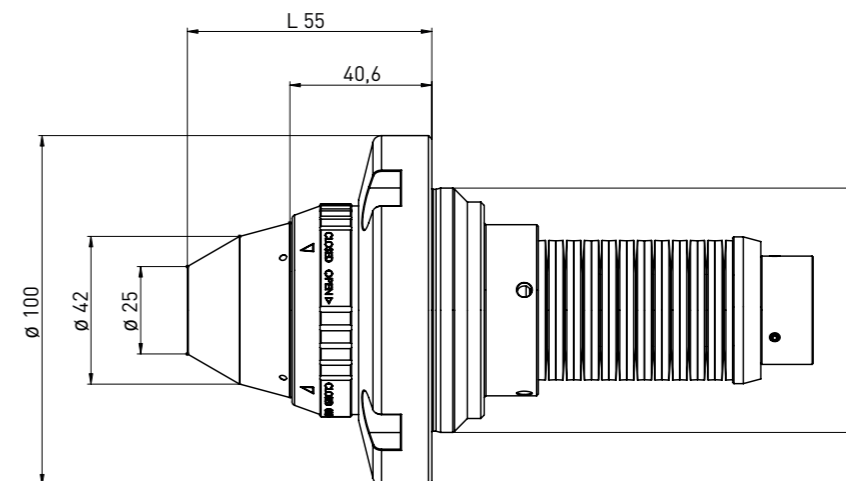
VIPER technology is very quickly installed on your tool grinding machine and ready for use. This enables you to reduce set-up times to a minimum. With our CoFix screw-in aid, you can change your collets easily, flexibly and with high precision in just a few moments.

Intense holding forces, versatile applicability and high repeatability at minimal set-up times are basic requirements of economic and cost-efficient manufacturing.



- Extreme holding forces.
- Very sturdy.
- High concentricity and repeatability.
- Adjustable run-out.
- Mutable clamping range by using standard Nann collets.
- Extremely low wear.
- Safe and easy collet change within seconds by using GDS' CoFix wrench.

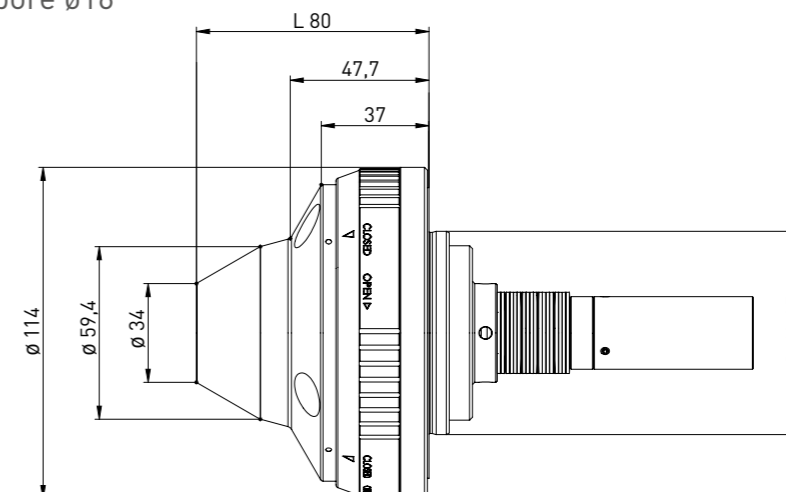
**VIPER S Nann 3148E** for ISO/SK 50  
Collet - maximum bore  $\varnothing 10$



Delivery includes: Push rod, mounting screws, operating instructions

Item no.	Name	Ring color	D	L
400004051	VIPER S Nann 3148E ANCA	Green	69,95	55
400004014	VIPER S Nann 3148E Reinecker	Green	69,95	55
400004014	VIPER S Nann 3148E Walter	Green	69,95	55

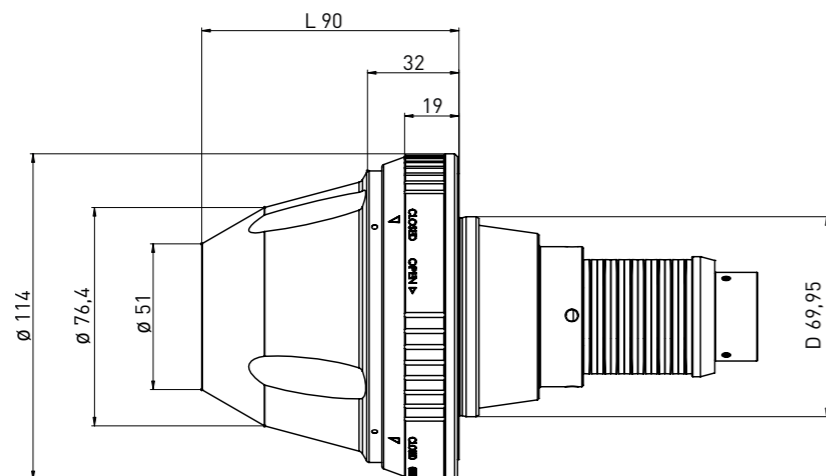
**VIPER M Nann 3409E** for ISO/SK 50  
Collet - maximum bore  $\varnothing 16$



Delivery includes: Push rod, mounting screws, operating instructions

Item no.	Name	Ring color	D	L
400004052	VIPER M Nann 3409E ANCA	Green	69,95	80
400004017	VIPER M Nann 3409E Reinecker	Green	69,95	80
400004017	VIPER M Nann 3409E Walter	Green	69,95	80

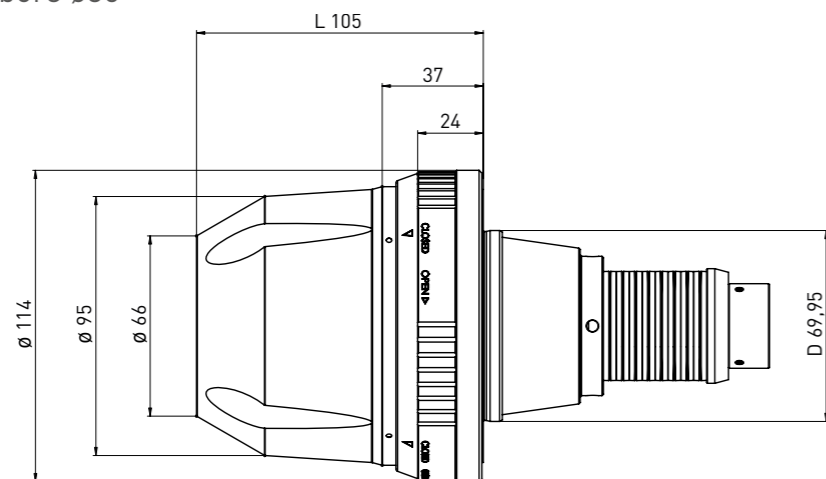
**VIPER L Nann 3718E** for ISO/SK 50  
Collet - maximum bore  $\varnothing 27$



Delivery includes: Push rod, mounting screws, operating instructions

Item no.	Name	Ring color	D	L
400004053	VIPER L Nann 3718E ANCA	Green	69,95	90
400004012	VIPER L Nann 3718E Reinecker	Green	69,95	90
400004012	VIPER L Nann 3718E Walter	Green	69,95	90

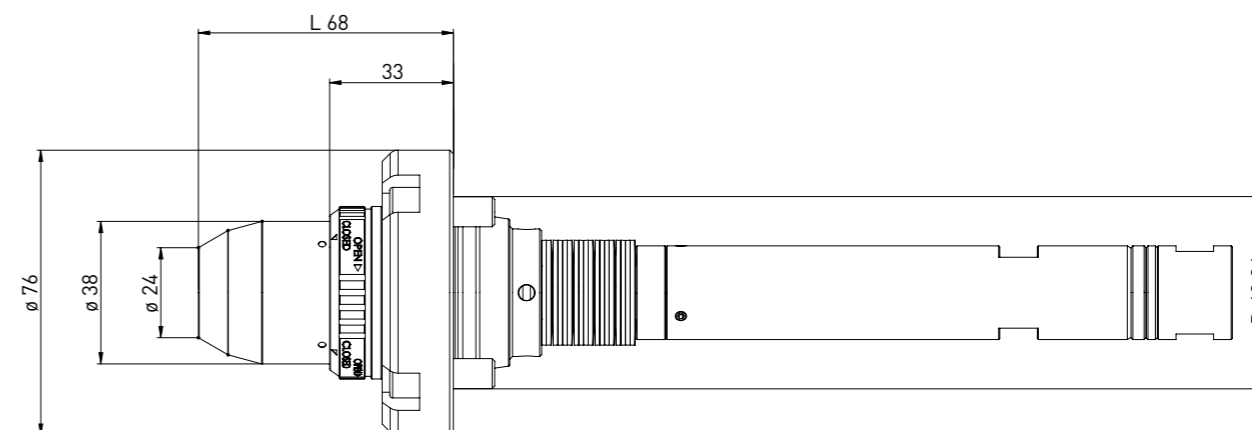
**VIPER XL Nann 3851E** for ISO/SK 50  
Collet - maximum bore  $\varnothing 36$



Delivery includes: Push rod, mounting screws, operating instructions

Item no.	Name	Ring color	D	L
400004054	VIPER XL Nann 3851E ANCA	Green	69,95	105
400004013	VIPER XL Nann 3851E Reinecker	Green	69,95	105
400004013	VIPER XL Nann 3851E Walter	Green	69,95	105

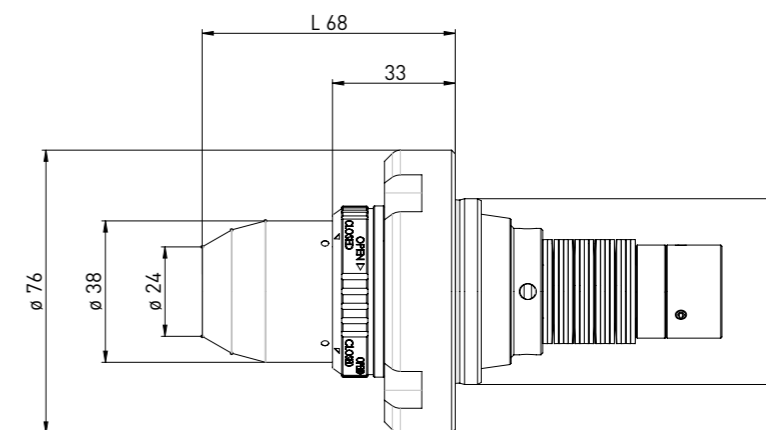
**VIPER S Nann 3148E Mini/G200** for ISO/SK 40  
Collet - maximum bore  $\varnothing 10$



Delivery includes: Shock adapter, intermediate washer, shock insert, mounting screws, operating instructions

Item no.	Name	Ring color	D	L
400004018	VIPER S Nann 3148E Mini/G200 Walter	Green	49,94	68

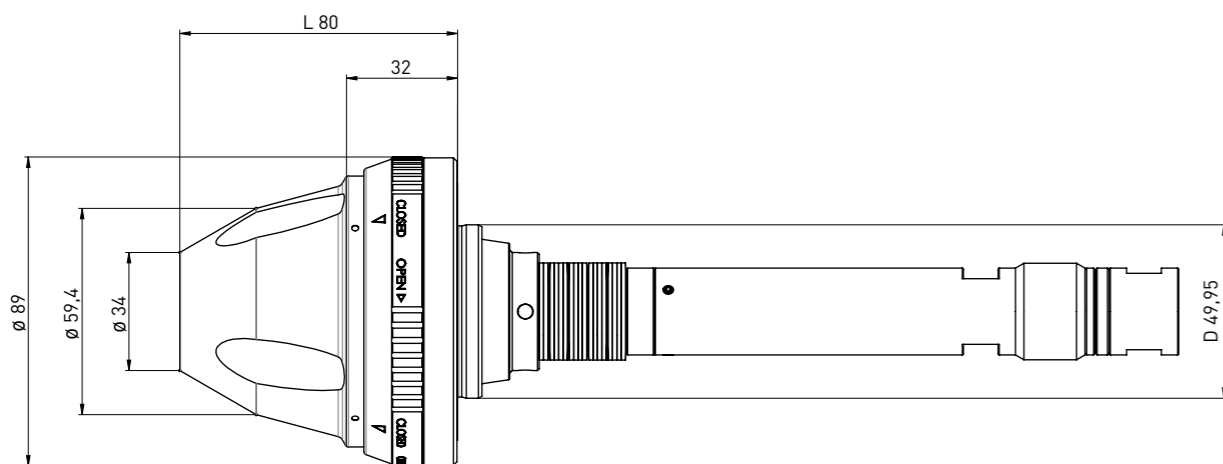
**VIPER S Nann 3148E Micro** for ISO/SK 40  
Collet - maximum bore  $\varnothing 10$



Delivery includes: Push rod, mounting screws, operating instructions

Item no.	Name	Ring color	D	L
400004019	VIPER S Nann 3148E Micro Walter	Green	49,94	68

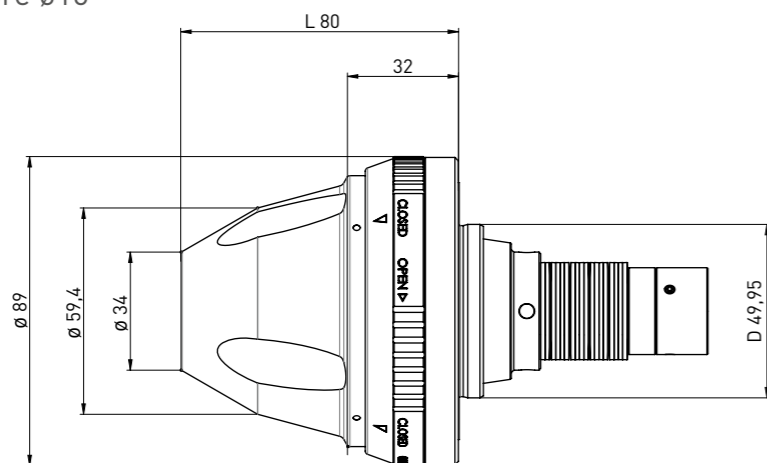
**VIPER M Nann 3409E Mini/G200** **NANN** for ISO/SK 40  
Collet - maximum bore  $\varnothing 16$



Delivery includes: Shock adapter, intermediate washer, shock insert, mounting screws, operating instructions

Item no.	Name	Ring color	D	L
400004003	VIPER M Nann 3409E Mini/G200 Walter	Green	49,94	80

**VIPER M Nann 3409E Micro** **NANN** for ISO/SK 40  
Collet - maximum bore  $\varnothing 16$



Delivery includes: Push rod, mounting screws, operating instructions

Item no.	Name	Ring color	D	L
400004002	VIPER M Nann 3409E Micro Walter	Green	49,94	80

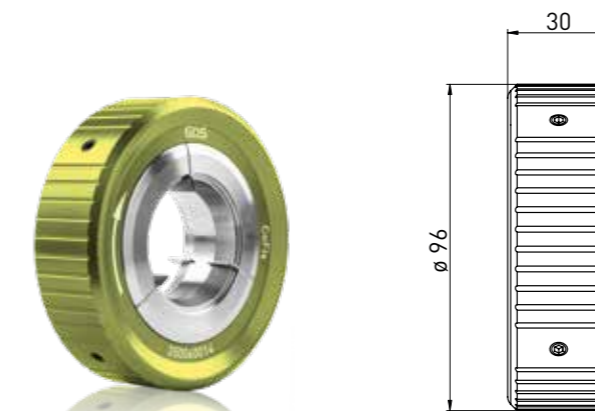
Cofix - the screw-in aid for collets



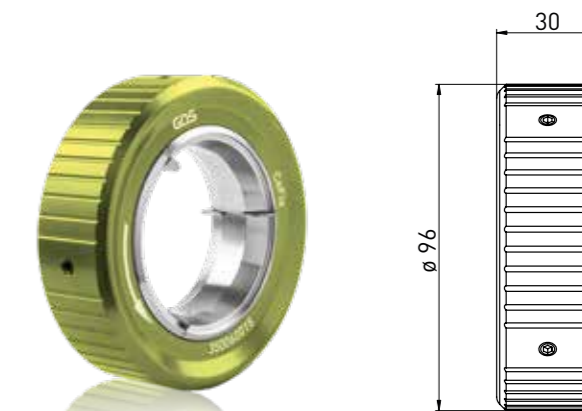
Item no.	Name
350060012	Cofix 20 (for W20 and Nann 3409E) Screw-in tool for collets



Item no.	Name
350060013	Cofix 12 (for W15 and Nann 3148E) Screw-in tool for collets



Item no.	Name
350060014	Cofix 32 (for Nann 3718E) Screw-in tool for collets



Item no.	Name
350060015	Cofix 45 (for Nann 3851E) Screw-in tool for collets

**ALLIGATOR** - the fully automatic hydraulic expansion precision clamping system in best GDS quality!



The ALLIGATOR series was specially developed by GDS for use in tool grinding machines and is an innovation in the field of hydraulic expansion precision clamping devices for tool grinding machines.

The outstanding damping properties of the ALLIGATOR series, in combination with its precise concentricity and repeatability, enable the production of the best surfaces.

Best geometries, consistent quality, shape and dimensional accuracy on the tool cutting edge are the result with GDS clamping devices from the ALLIGATOR series.

Your **flexible** solution in the clamping range 3-20 mm.

Low interference contours for optimum grinding wheel run-out

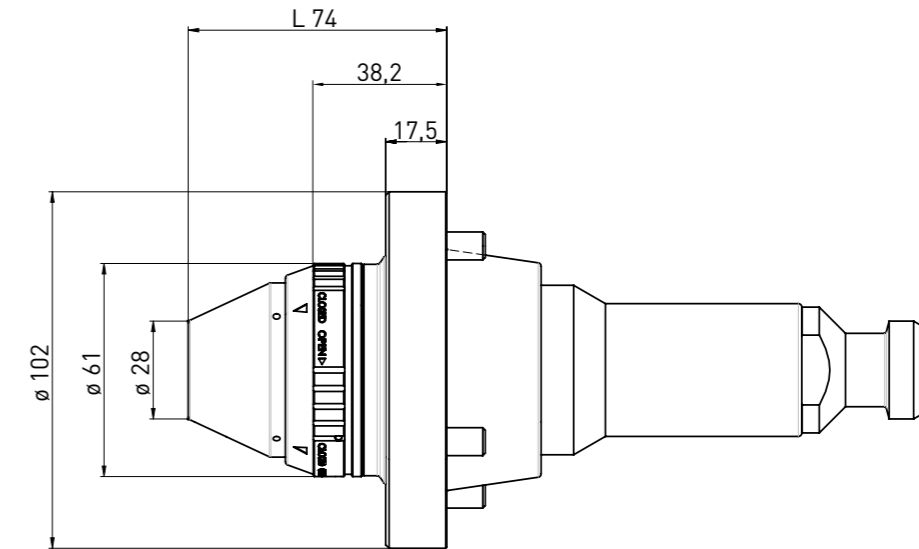
Automatic loading of the workpieces

Automatic bushing change possible

Sustainable due to low-cost repair and general overhauls

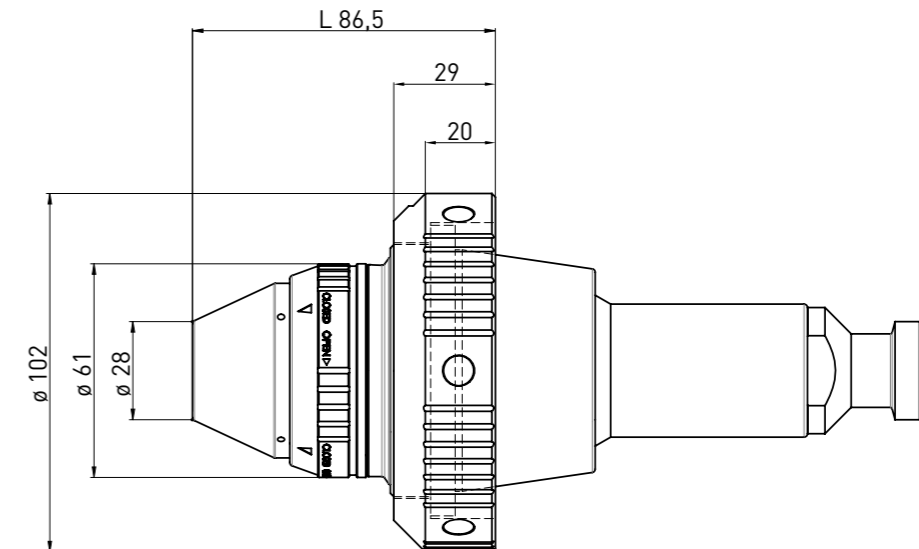


**ALLIGATOR ANCA** for a clamping range from 3 to 20 mm



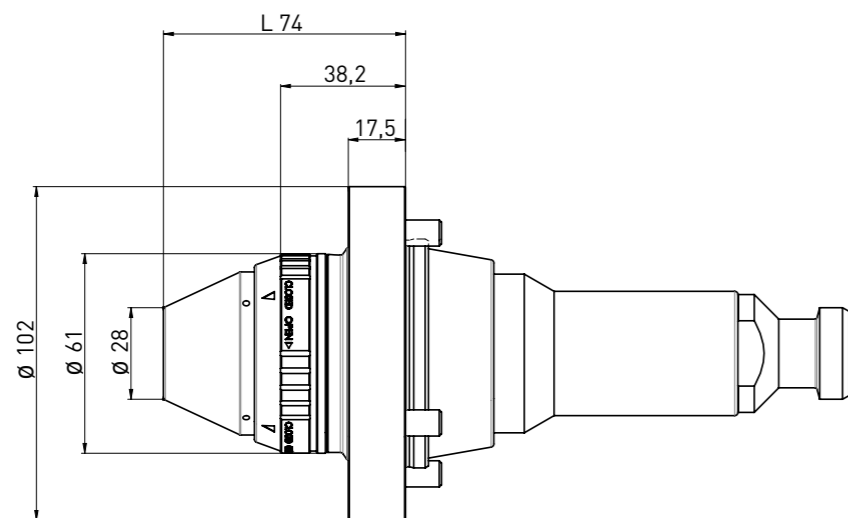
Item no.	Name	Ring color
400002002	ALLIGATOR ANCA	Green

**ALLIGATOR Deckel/ISOG** for a clamping range from 3 to 20 mm



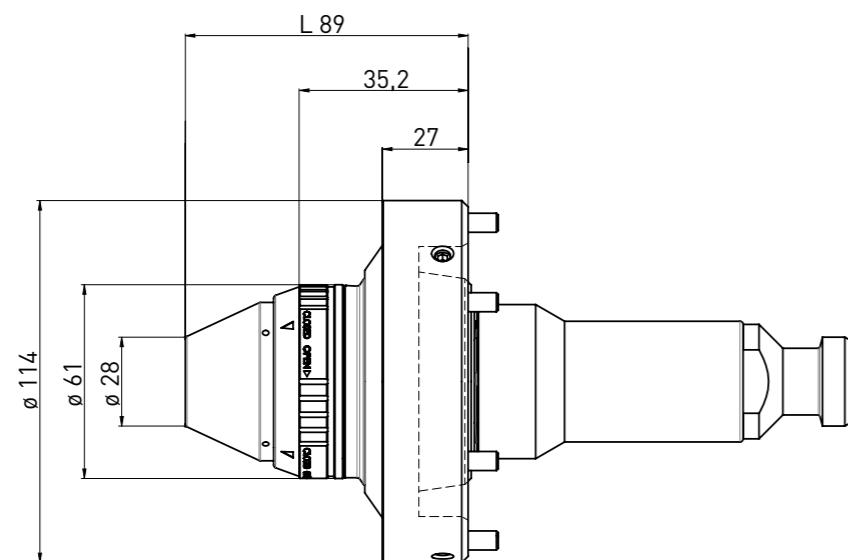
Item no.	Name	Ring color
400002005	ALLIGATOR Deckel/ISOG	Green

**ALLIGATOR Haas** for a clamping range from 3 to 20 mm



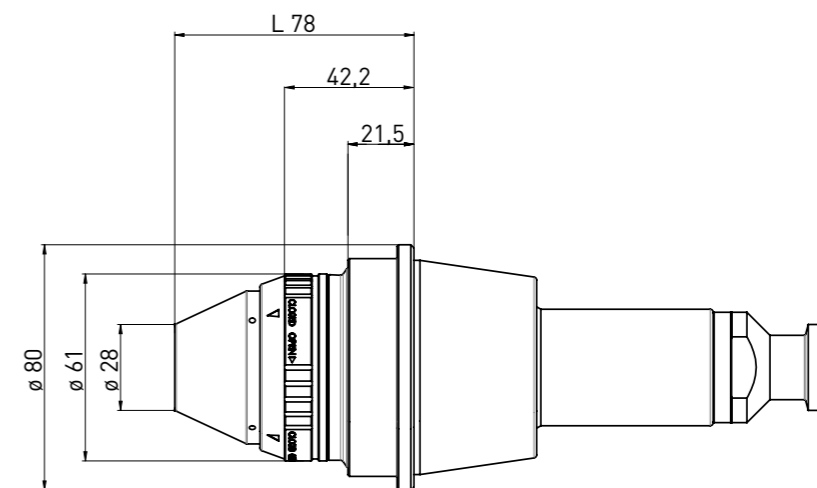
Item no.	Name	Ring color
400002001	ALLIGATOR Haas	Green

**ALLIGATOR Reinecker** for a clamping range from 3 to 20 mm



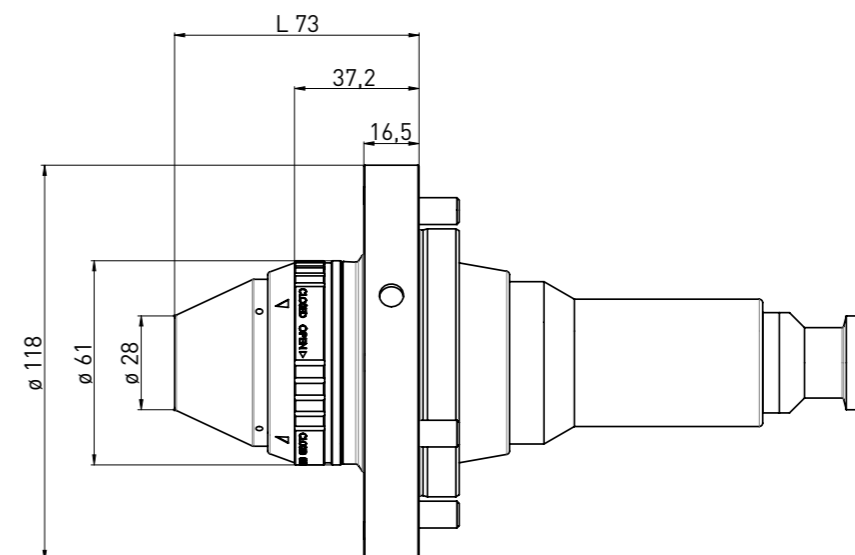
Item no.	Name	Ring color
400002006	ALLIGATOR Reinecker	Green

**ALLIGATOR Saacke (axle with union nut)** for a clamping range from 3 to 20 mm



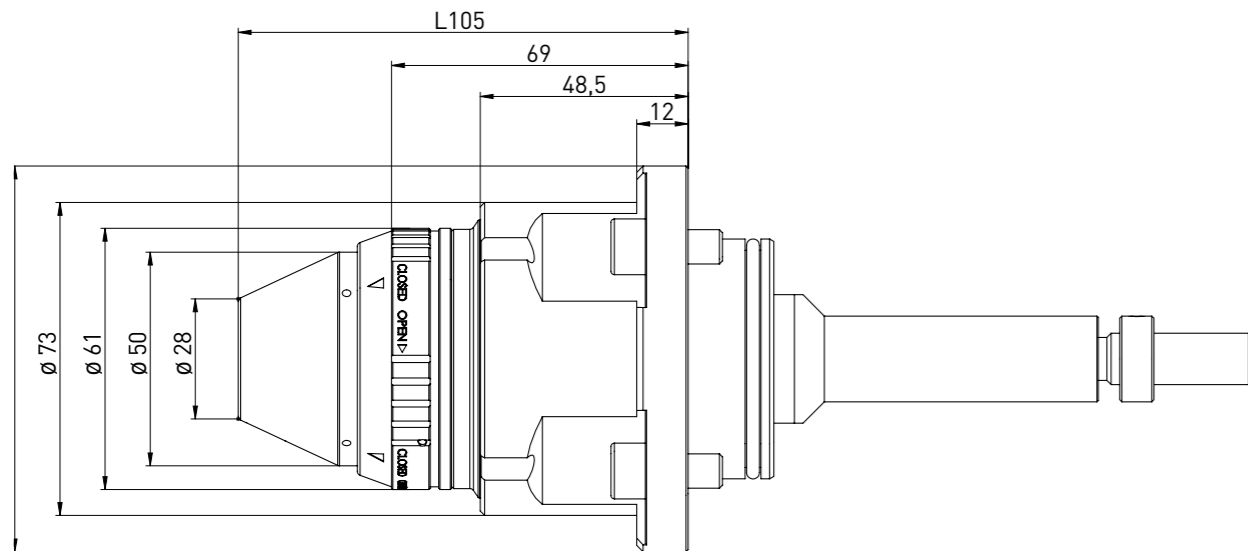
Item no.	Name	Ring color
400002003	ALLIGATOR Saacke for axle with union nut	Green

**ALLIGATOR Saacke (axis with face contact)** for a clamping range from 3 to 20 mm



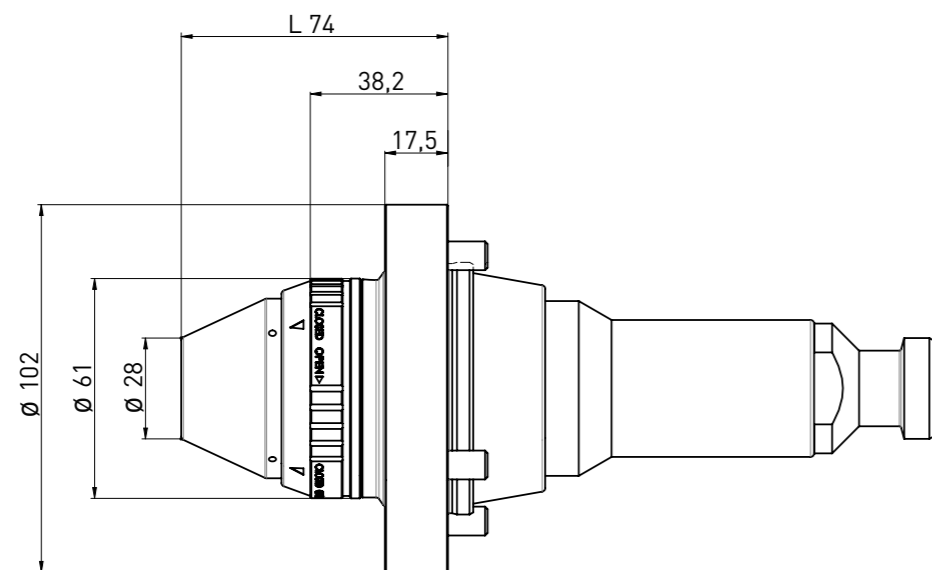
Item no.	Name	Ring color
400002004	ALLIGATOR Saacke for axle with face plant	Green

**ALLIGATOR Vollmer** for a clamping range from 3 to 20 mm



Item no.	Name	Ring color
400002010	ALLIGATOR Vollmer	Green

**ALLIGATOR Walter** for a clamping range from 3 to 20 mm



Item no.	Name	Ring color
400002001	ALLIGATOR Walter	Green

**Accessories for ALLIGATOR:**  
GDS reducing sleeve with radial lock



Item no.	Name	d
350111903	GDS Intermediate sleeve RS ø20	3
350111904	GDS Intermediate sleeve RS ø20	4
350111905	GDS Intermediate sleeve RS ø20	5
350111906	GDS Intermediate sleeve RS ø20	6
350111907	GDS Intermediate sleeve RS ø20	7
350111908	GDS Intermediate sleeve RS ø20	8
350111909	GDS Intermediate sleeve RS ø20	9
350111910	GDS Intermediate sleeve RS ø20	10
350111911	GDS Intermediate sleeve RS ø20	11
350111912	GDS Intermediate sleeve RS ø20	12
350111913	GDS Intermediate sleeve RS ø20	13
350111914	GDS Intermediate sleeve RS ø20	14
350111915	GDS Intermediate sleeve RS ø20	15
350111916	GDS Intermediate sleeve RS ø20	16

Intermediate sleeves with bayonet locking for automatic bushing exchange



Item no.	Name	d
350112403	GDS Intermediate sleeve BJ ø20 x 64	3
350112404	GDS Intermediate sleeve BJ ø20 x 64	4
350112405	GDS Intermediate sleeve BJ ø20 x 64	5
350112406	GDS Intermediate sleeve BJ ø20 x 64	6
350112407	GDS Intermediate sleeve BJ ø20 x 64	7
350112408	GDS Intermediate sleeve BJ ø20 x 64	8
350112409	GDS Intermediate sleeve BJ ø20 x 64	9
350112410	GDS Intermediate sleeve BJ ø20 x 64	10
350112411	GDS Intermediate sleeve BJ ø20 x 64	11
350112412	GDS Intermediate sleeve BJ ø20 x 64	12
350112413	GDS Intermediate sleeve BJ ø20 x 64	13
350112414	GDS Intermediate sleeve BJ ø20 x 64	14
350112415	GDS Intermediate sleeve BJ ø20 x 64	15
350112416	GDS Intermediate sleeve BJ ø20 x 64	16
350112416	GDS Intermediate sleeve BJ ø20 x 64	17



**Accessories for GDS intermediate sleeve with bayonet locking:**

Item no.	Name
250001590	Mounting wrench D20
250001638	Bayonet insert

COBRA - the two-piece chuck in high-precision GDS quality.



Modern grinding processes become more and more complex, forcing you to achieve extreme precision and perfect quality while minimizing setup and tool-changing times, due to pricing pressure.

COBRA, the two-part clamping system, has been especially developed for high-performance grinding centers.

Excellent repeatability when changing blanks or collets is a key factor for optimal grinding results. Collets can be changed quickly and in just a few simple steps. You can also adjust radial concentricity in just a few minutes.

COBRA - the economical clamping system from GDS.

An excellent solution at an affordable price.



Low interference contours for optimum grinding wheel runout

High concentricity and repeatability

Concentricity can be aligned

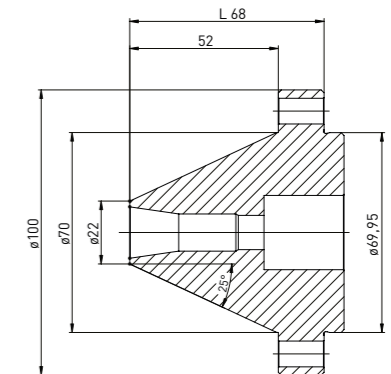
Flexible clamping range due to commercially available Nann and Schaublin collets

Very low wear

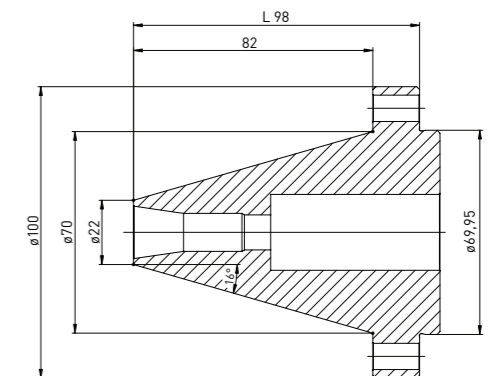
COBRA SK50 for Walter machines, version for **NANN** collets.



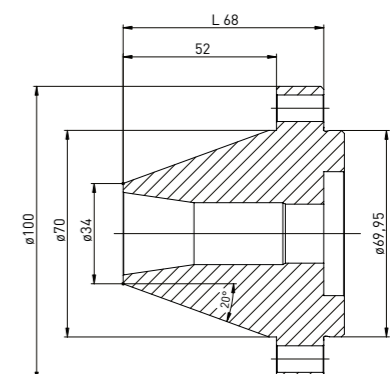
Item no.	Name
400007010	Collet chuck SK50 3148E L68
350300010	Pull rod for Collet chuck



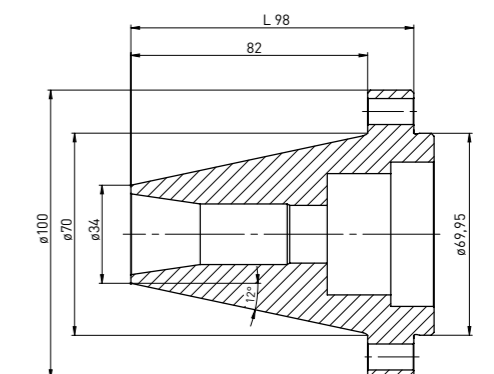
Item no.	Name
400007020	Collet chuck SK50 3148E L98
350300020	Pull rod for Collet chuck



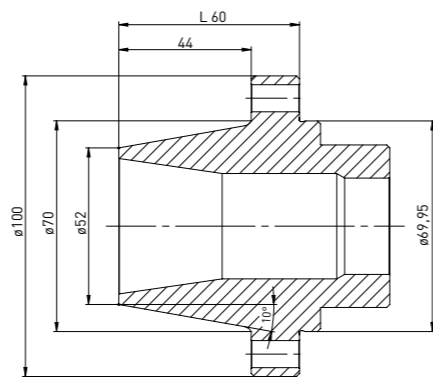
Item no.	Name
400007030	Collet chuck SK50 3409E L68
350300030	Pull rod for Collet chuck



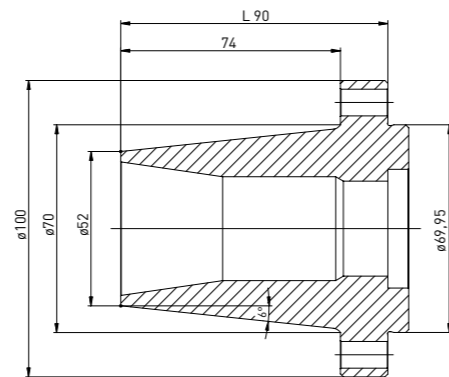
Item no.	Name
400007040	Collet chuck SK50 3409E L98
350300040	Pull rod for Collet chuck



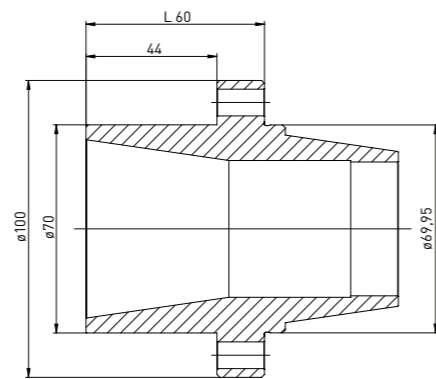
COBRA SK50 for Walter machines, version for **NANN** collets.



Item no.	Name
400007050	Collet chuck SK50 3718E L60
350300050	Pull rod for Collet chuck



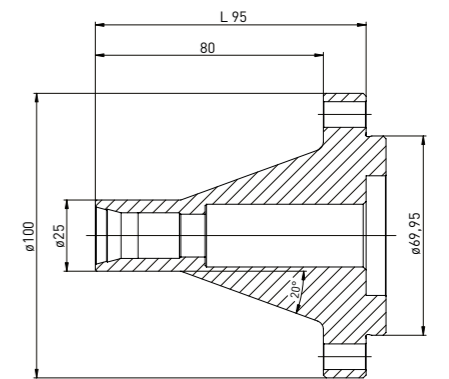
Item no.	Name
400007060	Collet chuck SK50 3718E L90
350300060	Pull rod for Collet chuck



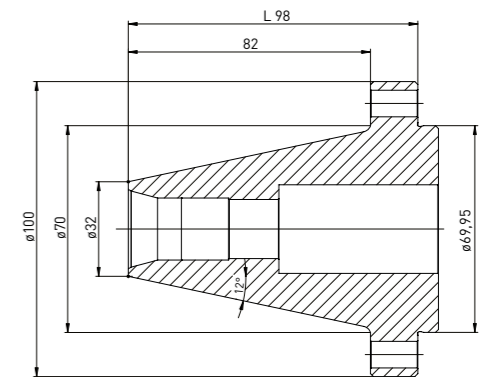
Item no.	Name
400007070	Collet chuck SK50 3851E L60
350300070	Pull rod for Collet chuck

Other machine manufacturers on request.

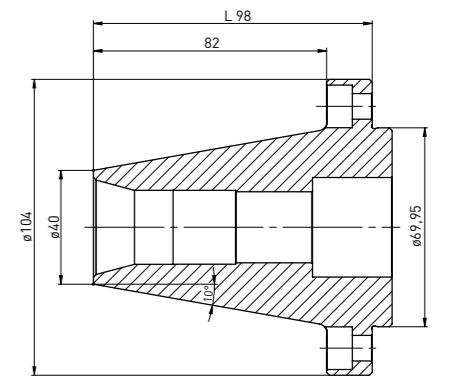
COBRA SK50 for Walter machines in the version for **Schaublin** collets.



Item no.	Name
400007110	Collet chuck SK50 W15 L95
350300110	Pull rod for Collet chuck



Item no.	Name
400007120	Collet chuck SK50 W20 L98
350300120	Pull rod for Collet chuck



Item no.	Name
400007130	Collet chuck SK50 W25 L98
350300130	Pull rod for Collet chuck

All collets available.



The xGrind HPS 20 manual chuck is the **high-precision chuck** of our xGrind series.



GDS developed the innovative xGrind series for precision clamping on tool grinding machines.

Due to the excellent dampening properties of our xGrind HPS 20, vibrations during the grind are attenuated.

Workpiece surface quality is absolutely consistent and ensures that you can meet tight manufacturing tolerances. Abrasion and wear of your grinding wheel is reduced.

The xGrind HPS also provides consistent clamping force and accurate concentricity even with a relatively short clamping length of 2.5 x D.

The xGrind HPS 20 creates perfect conditions for a predictable and stable grinding operation.



**High concentricity and repeatability.**

**Very economical due to excellent durability.**

**Slim profile for optimal wheel clearance.**

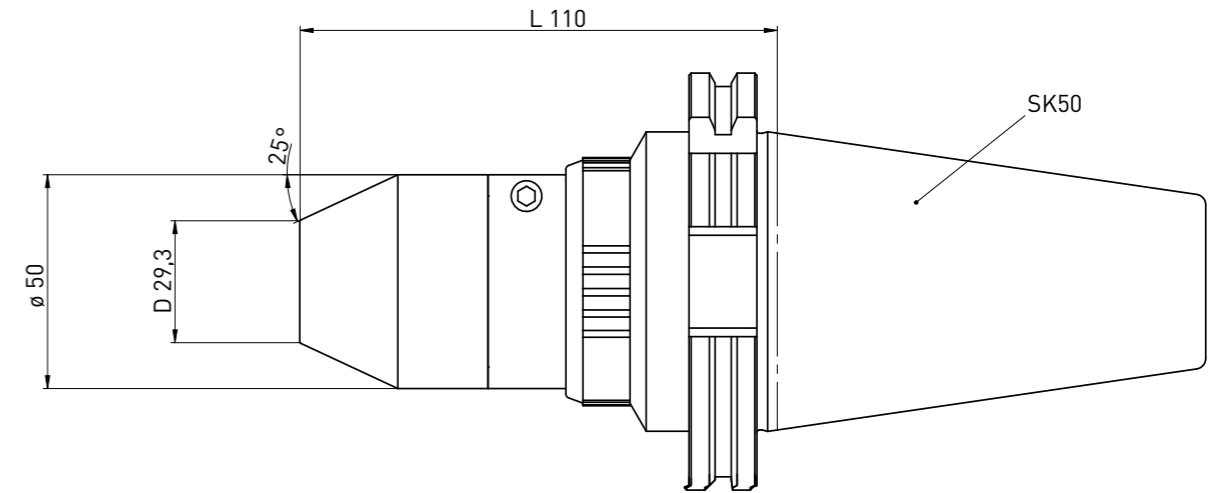
**Wide clamping range for outstanding versatility.**

**Easy handling saves time – 45% less than conventional clamping techniques.**

**Our collet wrench ensures safe operation.**

**Very low long-term operating cost due to excellent durability and affordable overhaul and repair options.**

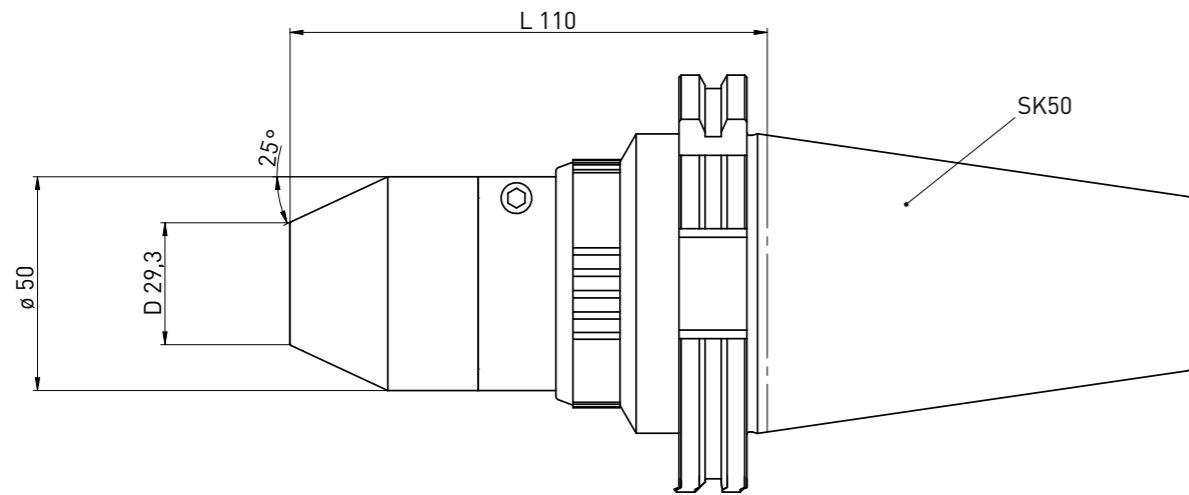
**xGrind HPS20 ISO/SK 50**



**Delivery includes:** Clamping wrench

Item no.	Name	Ring color	D	L
400005000	xGrind HPS 20 ANCA	Green	29,3	110
400005000	xGrind HPS 20 Deckel/ISOG	Green	29,3	110
400005000	xGrind HPS 20 Haas	Green	29,3	110
400005000	xGrind HPS 20 Hawema	Green	29,3	110
400005000	xGrind HPS 20 Joerg S-tech <sup>+</sup>	Green	29,3	110
400005000	xGrind HPS 20 Reinecker	Green	29,3	110
400005000	xGrind HPS 20 Saacke	Green	29,3	110
400005000	xGrind HPS 20 Schneeberger	Green	29,3	110
400005000	xGrind HPS 20 Schütte	Green	29,3	110
400005000	xGrind HPS 20 SMP	Green	29,3	110
400005000	xGrind HPS 20 Star	Green	29,3	110
400005000	xGrind HPS 20 Strausak	Green	29,3	110
400005000	xGrind HPS 20 TGT	Green	29,3	110
400005000	xGrind HPS 20 Vollmer	Green	29,3	110
400005000	xGrind HPS 20 Walter	Green	29,3	110

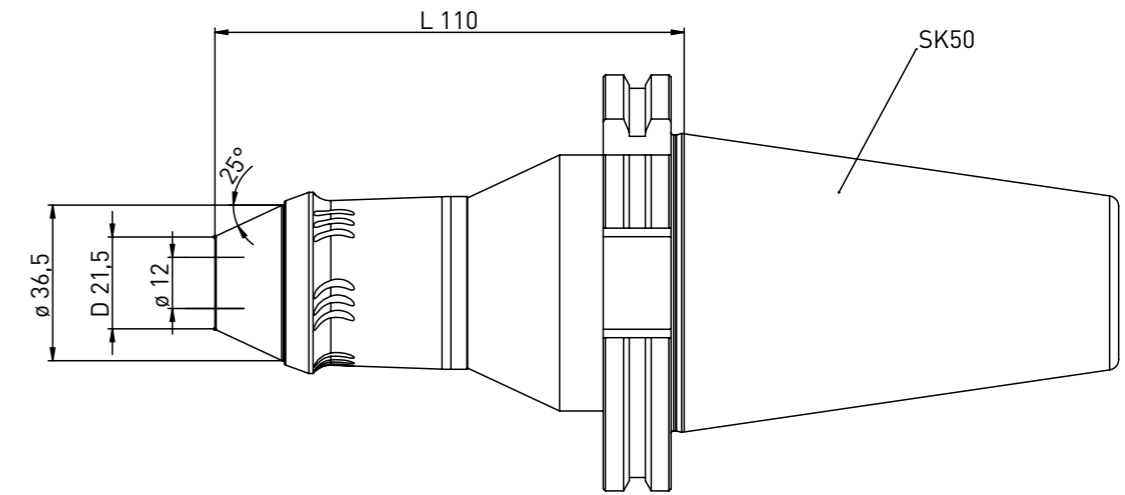
xGrind HPS20 ISO/SK 50 Complete set



Delivery includes: Clamping wrench, collets ø3-20mm

Item no.	Name	Ring color	D	L
400005100	xGrind HPS 20 ANCA complete set (incl. collets ø3-20mm)	Green	29,3	110
400005100	xGrind HPS 20 Deckel/ISOG complete set (incl. collets ø3-20mm)	Green	29,3	110
400005100	xGrind HPS 20 Haas complete set (incl. collets ø3-20mm)	Green	29,3	110
400005100	xGrind HPS 20 Hawema complete set (incl. collets ø3-20mm)	Green	29,3	110
400005100	xGrind HPS 20 Joerg S-tech+ complete set (incl. collets ø3-20mm)	Green	29,3	110
400005100	xGrind HPS 20 Reinecker complete set (incl. collets ø3-20mm)	Green	29,3	110
400005100	xGrind HPS 20 Saacke complete set (incl. collets ø3-20mm)	Green	29,3	110
400005100	xGrind HPS 20 Schneeberger complete set (incl. collets ø3-20mm)	Green	29,3	110
400005100	xGrind HPS 20 Schütte complete set (incl. collets ø3-20mm)	Green	29,3	110
400005100	xGrind HPS 20 SMP complete set (incl. collets ø3-20mm)	Green	29,3	110
400005100	xGrind HPS 20 Star complete set (incl. collets ø3-20mm)	Green	29,3	110
400005100	xGrind HPS 20 Strausak complete set (incl. collets ø3-20mm)	Green	29,3	110
400005100	xGrind HPS 20 TGT complete set (incl. collets ø3-20mm)	Green	29,3	110
400005100	xGrind HPS 20 Vollmer complete set (incl. collets ø3-20mm)	Green	29,3	110
400005100	xGrind HPS 20 Walter complete set (incl. collets ø3-20mm)	Green	29,3	110

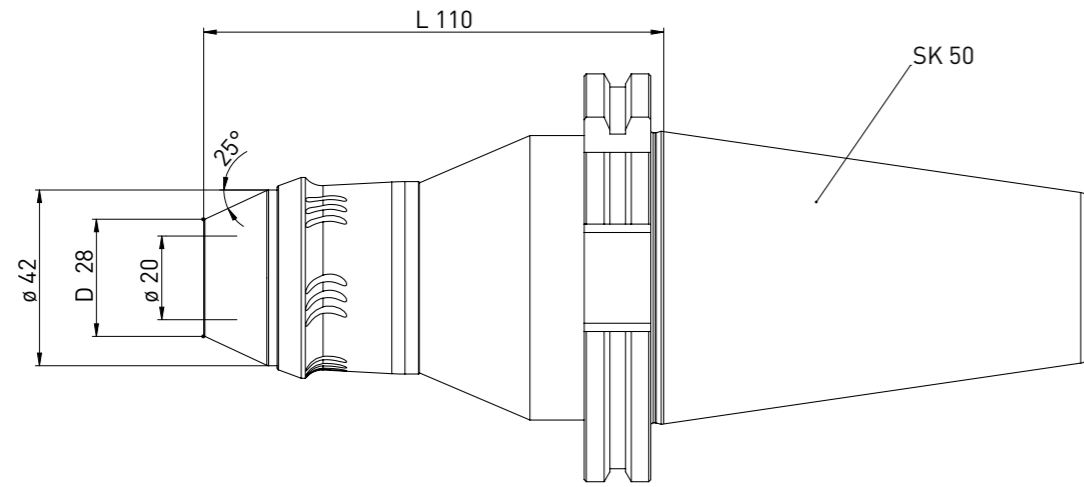
xGrind Hydro ø12 ISO/SK 50



Delivery includes: Clamping wrench

Item no.	Name	Ring color	D	L
400005011	xGrind Hydro ø12 ANCA	Green	21,5	110
400005011	xGrind Hydro ø12 Deckel/ISOG	Green	21,5	110
400005011	xGrind Hydro ø12 Haas	Green	21,5	110
400005011	xGrind Hydro ø12 Hawema	Green	21,5	110
400005011	xGrind Hydro ø12 Joerg S-tech+	Green	21,5	110
400005011	xGrind Hydro ø12 Reinecker	Green	21,5	110
400005011	xGrind Hydro ø12 Saacke	Green	21,5	110
400005011	xGrind Hydro ø12 Schneeberger	Green	21,5	110
400005011	xGrind Hydro ø12 Schütte	Green	21,5	110
400005011	xGrind Hydro ø12 SMP	Green	21,5	110
400005011	xGrind Hydro ø12 Star	Green	21,5	110
400005011	xGrind Hydro ø12 Strausak	Green	21,5	110
400005011	xGrind Hydro ø12 TGT	Green	21,5	110
400005011	xGrind Hydro ø12 Vollmer	Green	21,5	110
400005011	xGrind Hydro ø12 Walter	Green	21,5	110

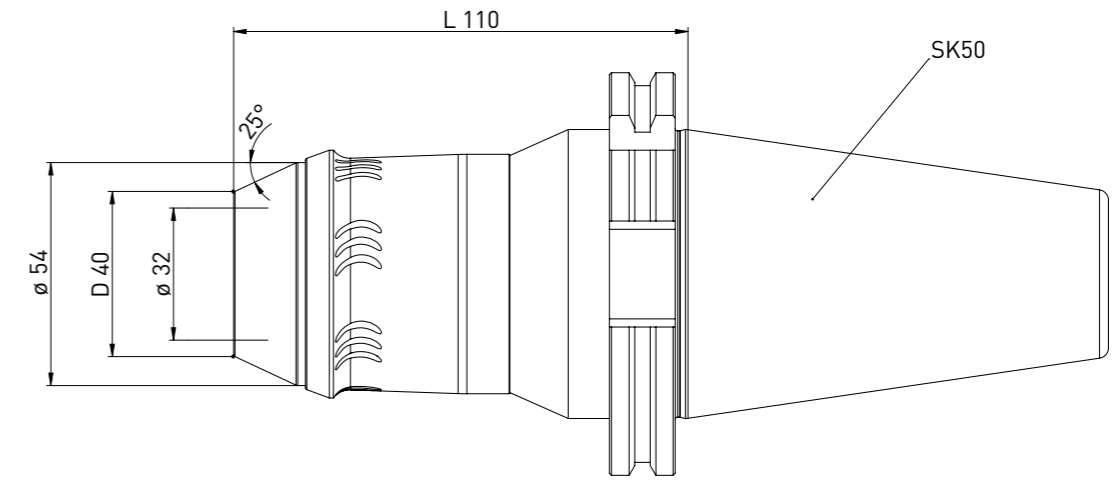
xGrind Hydro ø20 ISO/SK 50



Delivery includes: Clamping wrench

Item no.	Name	Ring color	D	L
400005012	xGrind Hydro ø20 ANCA	Green	28	110
400005012	xGrind Hydro ø20 Deckel/ISOG	Green	28	110
400005012	xGrind Hydro ø20 Haas	Green	28	110
400005012	xGrind Hydro ø20 Hawema	Green	28	110
400005012	xGrind Hydro ø20 Joerg S-tech <sup>+</sup>	Green	28	110
400005012	xGrind Hydro ø20 Reinecker	Green	28	110
400005012	xGrind Hydro ø20 Saacke	Green	28	110
400005012	xGrind Hydro ø20 Schneeberger	Green	28	110
400005012	xGrind Hydro ø20 Schütte	Green	28	110
400005012	xGrind Hydro ø20 SMP	Green	28	110
400005012	xGrind Hydro ø20 Star	Green	28	110
400005012	xGrind Hydro ø20 Strausak	Green	28	110
400005012	xGrind Hydro ø20 TGT	Green	28	110
400005012	xGrind Hydro ø20 Vollmer	Green	28	110
400005012	xGrind Hydro ø20 Walter	Green	28	110

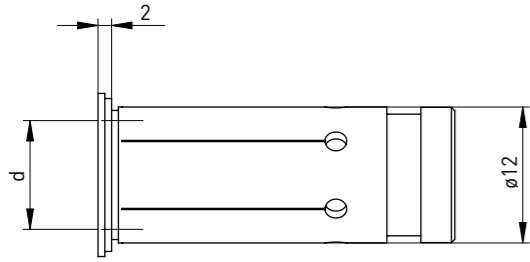
xGrind Hydro ø32 ISO/SK 50



Delivery includes: Clamping wrench

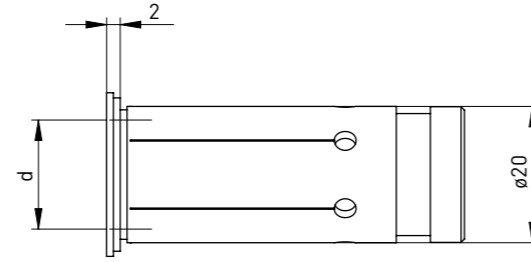
Item no.	Name	Ring color	D	L
400005013	xGrind Hydro ø32 ANCA	Green	40	110
400005013	xGrind Hydro ø32 Deckel/ISOG	Green	40	110
400005013	xGrind Hydro ø32 Haas	Green	40	110
400005013	xGrind Hydro ø32 Hawema	Green	40	110
400005013	xGrind Hydro ø32 Joerg S-tech <sup>+</sup>	Green	40	110
400005013	xGrind Hydro ø32 Reinecker	Green	40	110
400005013	xGrind Hydro ø32 Saacke	Green	40	110
400005013	xGrind Hydro ø32 Schneeberger	Green	40	110
400005013	xGrind Hydro ø32 Schütte	Green	40	110
400005013	xGrind Hydro ø32 SMP	Green	40	110
400005013	xGrind Hydro ø32 Star	Green	40	110
400005013	xGrind Hydro ø32 Strausak	Green	40	110
400005013	xGrind Hydro ø32 TGT	Green	40	110
400005013	xGrind Hydro ø32 Vollmer	Green	40	110
400005013	xGrind Hydro ø32 Walter	Green	40	110

Intermediate sleeves for xGrind Hydro  $\phi 12$ :



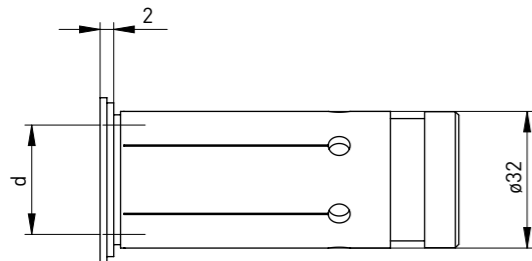
Item no.	Name	d
350110601	Intermediate sleeve $\phi 12$	3
350110602	Intermediate sleeve $\phi 12$	4
350110603	Intermediate sleeve $\phi 12$	5
350110604	Intermediate sleeve $\phi 12$	6
350110605	Intermediate sleeve $\phi 12$	8

Intermediate sleeves for xGrind Hydro  $\phi 20$ :



Item no.	Name	d
350110606	Intermediate sleeve $\phi 20$	3
350110607	Intermediate sleeve $\phi 20$	4
350110608	Intermediate sleeve $\phi 20$	5
350110609	Intermediate sleeve $\phi 20$	6
350110610	Intermediate sleeve $\phi 20$	7
350110611	Intermediate sleeve $\phi 20$	8
350110612	Intermediate sleeve $\phi 20$	9
350110613	Intermediate sleeve $\phi 20$	10
350110614	Intermediate sleeve $\phi 20$	11
350110615	Intermediate sleeve $\phi 20$	12
350110616	Intermediate sleeve $\phi 20$	13
350110617	Intermediate sleeve $\phi 20$	14
350110618	Intermediate sleeve $\phi 20$	15
350110619	Intermediate sleeve $\phi 20$	16

Intermediate sleeves for xGrind Hydro  $\phi 32$ :

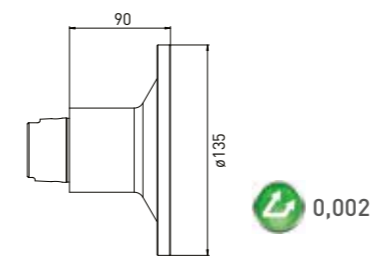


Item no.	Name	d
350110707	Intermediate sleeve $\phi 32$	6
350110708	Intermediate sleeve $\phi 32$	8
350110709	Intermediate sleeve $\phi 32$	10
350110710	Intermediate sleeve $\phi 32$	12
350110711	Intermediate sleeve $\phi 32$	14
350110712	Intermediate sleeve $\phi 32$	16
350110713	Intermediate sleeve $\phi 32$	18
350110714	Intermediate sleeve $\phi 32$	20
350110715	Intermediate sleeve $\phi 32$	25

Accessories:

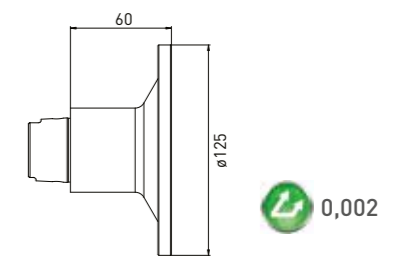
Item no.	Name
350270004	Torque screwdriver xGrind HPS

HSK 50 Test and angle dial



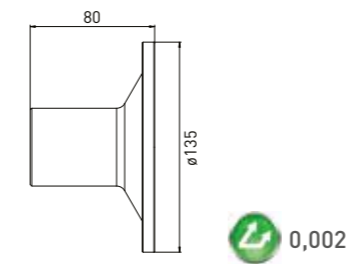
Item no.	Name
350090010	Test and angle dial HSK 50

HSK 40 Test and angle dial



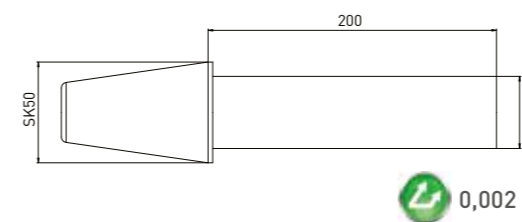
Item no.	Name
350090020	Test and angle dial HSK 40

Test and angle dial



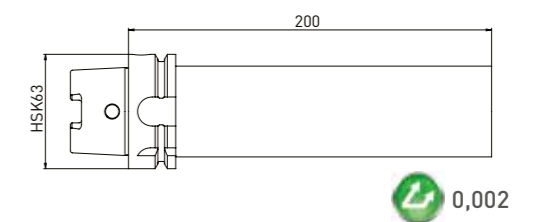
Item no.	Name
350090030	Angle dial Haas/Walter taper 31.75

ISO/SK 50 Test mandrel



Item no.	Name
350090040	Test mandrel SK50 x $\phi 50$ x 200

HSK 63 Test mandrel



Item no.	Name
350090050	Test mandrel HSK 63 x $\phi 50$ x 200

Clamp stick is our product line for clamping tools with an internal bore.

GDS clamp sticks are expanding mandrels with extremely tight concentricity and runout tolerances. These properties allow you to manufacture and sharpen tools with high precision.

Its fast and easy handling offers you enormous flexibility.

Best geometries, highest manufacturing precision, and consistent quality are the prominent features of the GDS clamp stick series.



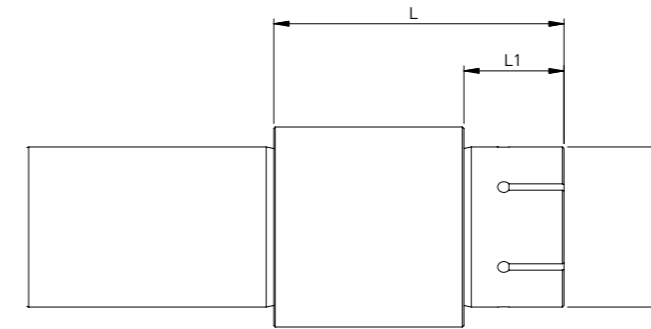
Slim profile for optimal grinding wheel clearance and selection flexibility.

Excellent concentricity and runout properties.

Various clamping diameters available.

Available with cylindrical shank, or with SK50 interface.

Clamp Stick expanding mandrel with cylindrical shank



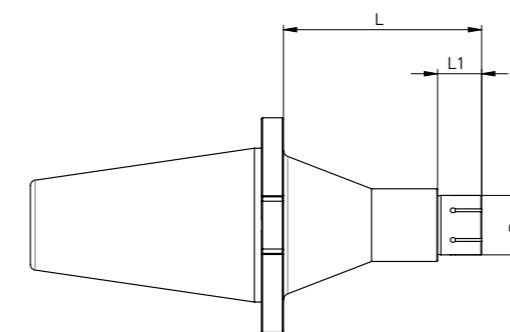
L: Overall length beyond the flange face  
L1: Clamping length  
D: Clamping diameter

Shank tolerance:  $\leq H7$   
Concentricity:  $\leq 5\mu$   
Maximum expansion: 0,1

Item no.	Name	L1	D
303001013	Mandrel $\phi 20 \times L53 \times \phi 13$	15	13
303001016	Mandrel $\phi 20 \times L53 \times \phi 16$	15	16
303001022	Mandrel $\phi 20 \times L56 \times \phi 22$	18	22
303001027	Mandrel $\phi 20 \times L58 \times \phi 27$	20	27
303001032	Mandrel $\phi 20 \times L62 \times \phi 32$	24	32
303001040	Mandrel $\phi 20 \times L64 \times \phi 40$	26	40

Item no.	Name	L1	D
303002013	Mandrel $\phi 32 \times L53 \times \phi 13$	15	13
303002016	Mandrel $\phi 32 \times L53 \times \phi 16$	15	16
303002022	Mandrel $\phi 32 \times L56 \times \phi 22$	18	22
303002027	Mandrel $\phi 32 \times L58 \times \phi 27$	20	27
303002032	Mandrel $\phi 32 \times L62 \times \phi 32$	24	32
303002040	Mandrel $\phi 32 \times L64 \times \phi 40$	26	40

Clamp Stick expanding mandrel with SK50 taper



L: Overall length beyond the flange face  
L1: Clamping length  
D: Clamping diameter

Shank tolerance:  $\leq H7$   
Concentricity:  $\leq 5\mu$   
Maximum expansion: 0,1

Item no.	Name	L2	D
303003016	Mandrel SK 50 x L98 x $\phi 16$	15	16
303003022	Mandrel SK 50 x L101 x $\phi 22$	18	22
303003027	Mandrel SK 50 x L103 x $\phi 27$	20	27
303003032	Mandrel SK 50 x L105 x $\phi 32$	24	32
303003040	Mandrel SK 50 x L107 x $\phi 40$	26	40

**FIRETIGER** - interchangeable, universal robot pallets for Fanuc robot loaders and top loaders

The FIRETIGER tool pallets from GDS have been developed for standard tool automation with the FANUC robot loader. They allow the use of a fully automated and highly productive robot loader, which ensures a smooth automated and flexible production flow. Various 3-layer FIRETIGER tool pallets are available for workpiece diameters from 3 to 25 mm. If you need an individual solution, we will be happy to produce a 1-layer FIRETIGER individual tool pallet on request, tailored to your process.



**FIRETIGER tool pallets 3-ply**

Item no.	Name
350310011	FIRETIGER tool pallet, D = Ø 3 for tool diameter 3 mm, 3-ply
350310012	FIRETIGER tool pallet, D = Ø 4 for tool diameter 4 mm, 3-ply
350310013	FIRETIGER tool pallet, D = Ø 5 for tool diameter 5 mm, 3-ply
350310014	FIRETIGER tool pallet, D = Ø 6 for tool diameter 6 mm, 3-ply
350310015	FIRETIGER tool pallet, D = Ø 8 for tool diameter 8 mm, 3-ply
350310016	FIRETIGER tool pallet, D = Ø 10 for tool diameter 10 mm, 3-ply
350310017	FIRETIGER tool pallet, D = Ø 12 for tool diameter 12 mm, 3-ply
350310018	FIRETIGER tool pallet, D = Ø 16 for tool diameter 16 mm, 3-ply
350310019	FIRETIGER tool pallet, D = Ø 20 for tool diameter 20 mm, 3-ply
350310020	FIRETIGER tool pallet, D = Ø 25 for tool diameter 25 mm, 3-ply

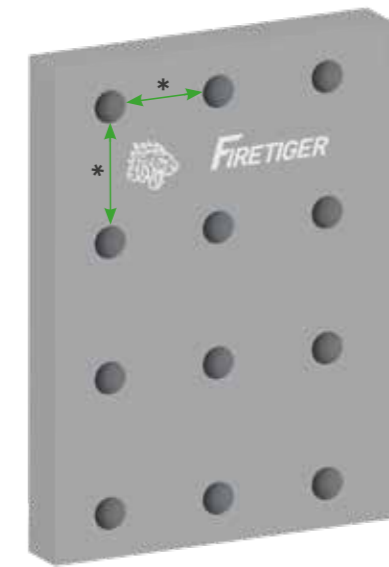


**Accessories for FIRETIGER tool pallets**

Item no.	Name
350311001	Gripper finger, D = Ø 1-3 for tool diameter 1-3 mm 2 pieces necessary!
350311002	Gripper finger, D = Ø 3-7 for tool diameter 3-7 mm 2 pieces necessary!
350311003	Gripper finger, D = Ø 7-10 for tool diameter 7-10 mm 2 pieces necessary!
350311004	Gripper finger, D = Ø 10-13 for tool diameter 10-13 mm 2 Stück notwendig!
350311005	Gripper finger, D = Ø 13-16 for tool diameter 13-16 mm 2 pieces necessary!
350311006	Gripper finger, D = Ø 16-19 for tool diameter 16-19 mm 2 pieces necessary!
350311007	Gripper finger, D = Ø 19-22 for tool diameter 19-22 mm 2 pieces necessary!
350311008	Gripper finger, D = Ø 22-25 for tool diameter 22-25 mm 2 pieces necessary!
350311009	Gripper finger, D = Ø 28-31 for tool diameter 28-31 mm 2 pieces necessary!
350311010	Gripper finger, D = Ø 31-33 for tool diameter 31-33 mm 2 pieces necessary!
350311011	Gripper finger, for production loader cylindrical for all tool diameters 2 pieces necessary!
350311012	Gripper finger fixed



**FIRETIGER individual tool pallets**  
1-ply - the individual solution for you



\*Individually configurable

Item no.	Name
350310001	FIRETIGER tool pallet, D = Ø 3 for tool diameter 3 mm, 1-ply
350310002	FIRETIGER tool pallet, D = Ø 4 for tool diameter 4 mm, 1-ply
350310003	FIRETIGER tool pallet, D = Ø 5 for tool diameter 5 mm, 1-ply
350310004	FIRETIGER tool pallet, D = Ø 6 for tool diameter 6 mm, 1-ply
350310005	FIRETIGER tool pallet, D = Ø 8 for tool diameter 8 mm, 1-ply
350310006	FIRETIGER tool pallet, D = Ø 10 for tool diameter 10 mm, 1-ply
350310007	FIRETIGER tool pallet, D = Ø 12 for tool diameter 12 mm, 1-ply
350310008	FIRETIGER tool pallet, D = Ø 16 for tool diameter 16 mm, 1-ply
350310009	FIRETIGER tool pallet, D = Ø 20 for tool diameter 20 mm, 1-ply
350310010	FIRETIGER tool pallet, D = Ø 25 for tool diameter 25 mm, 1-ply

Eliminate last obstacles in high precision production – work efficient and cost effective by using **balanced grinding wheel adapters**.

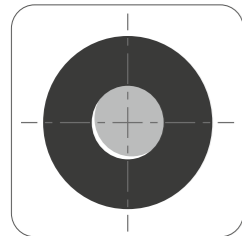


GDS' balancing system Equi'Z enables you to ensure consistent tool machining quality while preventing grinding wheel wear and machine repairs.

Protect your spindles and increase grinding wheel's service life with our perfectly harmonized balancing system. With a precise balanced grinding wheel, you work cost effective and preventive. You increase your units per wheel, improve your surface quality and avoid chatter marks. GDS' Equi'Z improves your grinding machine's mechanical stability and reduces stress at the spindle-bearing.

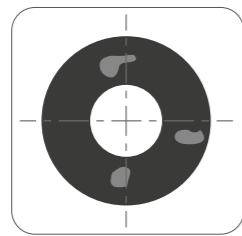
Our balancing system is available in different versions and perfectly adjusted to each application.

**Imbalance factors:**  
Tolerance of grinding wheel bore



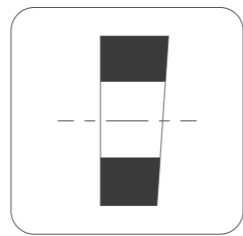
**Consequences of imbalance:**  
Reduced surface quality (chatter marks).

Homogeneity of grinding wheel



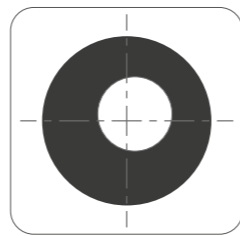
Reduced dimensional accuracy of workpiece (dressing costs increase).

Parallelism of the grinding wheel



High grinding wheel wear (short service life).

Concentricity of the grinding wheel



Headstock wear (unnecessary repairs and machine downtime).



**Excellent balancing quality:**

The Equi'Z balancing machines easily detect an imbalance of less than 0.1 g on all parts, whether their weight is 50 g or 8 kg.

Due to its light weight, the soft-bearing balancing machine is easy to move without special equipment.

Stand-alone device. No additional computer required.

Requires no PC or programming knowledge to operate.

Balances every tool or wheel set.

Prevent headstock and spindle-bearing repairs using the Equi'Z balancing system.

Wheel balancing increases wheel life and produces better surface finish and cutting edge on the tools you grind.

## Equi'Z Toolbalancer

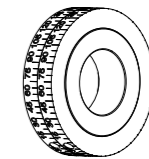
Item no.	Name
400006001	Equi'Z Competition to HSK63 or SK40 for Tablet // Notebook // PC
400006004	Equi'Z Competition Stand Alone 1 plane, to HSK63 / SK40 / PSC 5, BMT200-1.OP40
400006005	Equi'Z Competition Stand Alone 1+2 plane, to HSK63 / SK40 / PSC 5, BMT200-2.OP40

Item no.	Name
400006003	Equi'Z Ultimate to HSK100 or SK50 for Tablet // Notebook // PC
400006006	Equi'Z Ultimate Stand Alone 1 plane, to HSK125 / SK50 / PSC 8, BMT200-1.OP100
400006007	Equi'Z Ultimate Stand Alone 1+2 plane, to HSK125 / SK50 / PSC 8, BMT200-2.OP100

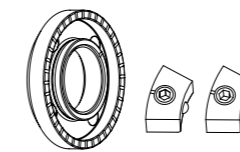
## Accessories for grinding wheel adapters for Toolbalancer:



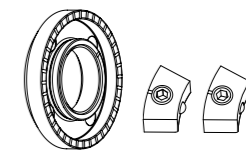
Item no.	Name
350080120	Balancing ring without scale 3-part 80gmm $\phi 60 \times \phi 20 \times 12$
350080130	Balancing ring without scale 3-part 80gmm $\phi 45 \times \phi 20 \times 12$



Item no.	Name
350080100	Balancing ring with scale 3-part 80gmm $\phi 60 \times \phi 20 \times 12$
350080110	Balancing ring with scale 3-part 80gmm $\phi 45 \times \phi 20 \times 12$



Item no.	Name
350020080	Clamping nut with balancing option $\phi 35 \times \phi 40 \times 8 \times M20 \times 1$ (without weights)
350020081	Balancing weight pair for clamping nut $\phi 35$ 40gmm
350040040	Clamping nut wrench PC29 for $\phi 20$



Item no.	Name
350020020	Clamping nut with balancing option $\phi 50 \times 8,5 M20 \times 1,0$ (without weights)
350020021	Balancing weight pair for clamping nut $\phi 50$ 100gmm
350040010	Clamping nut wrench PC 27 for $\phi 20$

Item no.	Name
350020026	Clamping nut with balancing option $\phi 47 \times 12 M31,5 \times 1,5$ (without weights)
350020027	Balancing weight pair for clamping nut $\phi 47$ 70gmm
350040030	Clamping nut wrench PC39 for $\phi 47$

Item no.	Name
350020022	Clamping nut with balancing option $\phi 60 \times 9 M32 \times 1,5$ (without weights)
350020023	Balancing weight pair for clamping nut $\phi 60$ 200gmm
350040030	Clamping nut wrench PC39 for $\phi 47$

Balancing machines for highest balancing accuracy  $\leq 0.5$  gmm

Operating options: Tablet, Notebook, PC (Windows 10)  
or with integrated display (Stand Alone)



## Equi'Z Competition Stand Alone

Item no.: 400006004



### Accessories

for Competition and Competition Stand Alone:

Item no.	Name
350080221	Equi'Z Adapter Perfect Arbor Standard // Competition
350080250	Equi'Z Adapter HSK63-A Standard // Competition
350080252	Equi'Z Adapter HSK63-F Standard // Competition
350080260	Equi'Z Adapter HSK50-A Standard // Competition
350080262	Equi'Z Adapter HSK50-F Standard // Competition
350080270	Equi'Z Adapter HSK40-A Standard // Competition
350080272	Equi'Z Adapter HSK40-F Standard // Competition
350080280	Equi'Z Adapter HSK32-F Standard // Competition
350080285	Equi'Z Adapter HSK25-A Standard // Competition
350080286	Equi'Z Adapter HSK32-A Standard // Competition
350080290	Equi'Z Adapter SK30-A Standard // Competition
350080300	Equi'Z Adapter SK40-A Standard // Competition
350080399	Equi'Z Adapter BT30/ANSI Standard // Competition
350080400	Equi'Z Adapter BT30/PT45 Standard // Competition
350080401	Equi'Z Adapter BT30/PT60 Standard // Competition
350080402	Equi'Z Adapter BT40/PT15 Standard // Competition
350080403	Equi'Z Adapter BT40/PT30 Standard // Competition
350080404	Equi'Z Adapter BT40/PT45 Standard // Competition
350080405	Equi'Z Adapter BT40/PT60 Standard // Competition
350080406	Equi'Z Adapter BT40/PT75 Standard // Competition
350080407	Equi'Z Adapter BT40/PT90 Standard // Competition

### Accessories

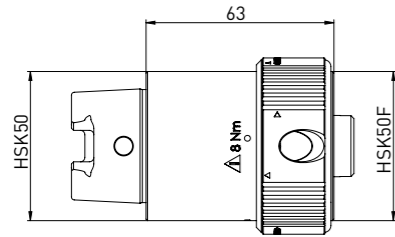
for Ultimate and Ultimate Stand Alone:

Item no.	Name
350080222	Equi'Z Adapter Perfect Arbor Power // Ultimate
350080251	Equi'Z Adapter HSK63-A Power // Ultimate
350080255	Equi'Z Adapter HSK80-A Power // Ultimate
350080256	Equi'Z Adapter HSK100-A Power // Ultimate
350080263	Equi'Z Adapter HSK50-A Power // Ultimate
350080271	Equi'Z Adapter HSK40-A Power // Ultimate
350080287	Equi'Z Adapter HSK32-A Power // Ultimate
350080310	Equi'Z Adapter SK50-A Power // Ultimate
350080311	Equi'Z Adapter SK40-A Power // Ultimate
350080312	Equi'Z Adapter SK30-A Power // Ultimate
350080410	Equi'Z Adapter BT30/PT30 Power // Ultimate
350080411	Equi'Z Adapter BT30/PT45 Power // Ultimate
350080413	Equi'Z Adapter BT40/PT30 Power // Ultimate
350080414	Equi'Z Adapter BT40/PT45 Power // Ultimate
350080415	Equi'Z Adapter BT40/PT90 Power // Ultimate
350080416	Equi'Z Adapter BT50/PT30 Power // Ultimate
350080417	Equi'Z Adapter BT50/PT45 Power // Ultimate
350080418	Equi'Z Adapter BT50/PT90 Power // Ultimate

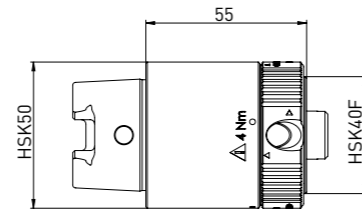
### Accessories for Competition and Ultimate:

Item no.	Name
400006075	Equi'Z tablet stand
400006076	Equi'Z tablet tray

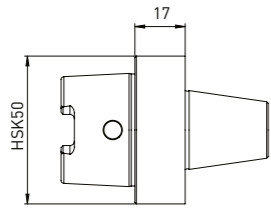
**Adapters** piece for tool grinding machines, dressing machines, presetting devices, balancing machines



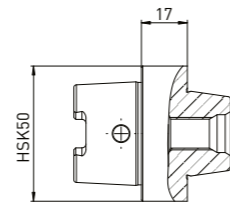
**Item no. Name**  
350130020 Adapter piece HSK50 on HSK40 A/C/E HSK50 B/D/F



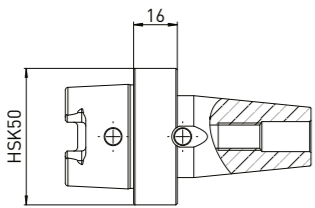
**Item no. Name**  
350130021 Adapter piece HSK50 on HSK32 A/C/E - HSK40 B/D/F



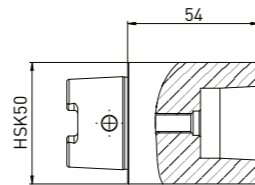
**Item no. Name**  
350130034 Adapter piece HSK50 on ANCA Kegel ø30



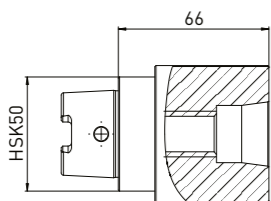
**Item no. Name**  
350130032 Adapter piece HSK50 on Haas/Walter Kegel



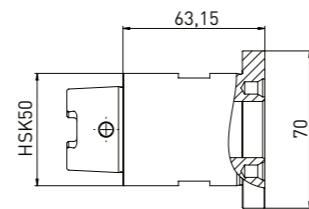
**Item no. Name**  
350130030 Adapter piece HSK50 on Strausak Fleximat



**Item no. Name**  
350130031 Adapter piece HSK50 on Strausak Promat

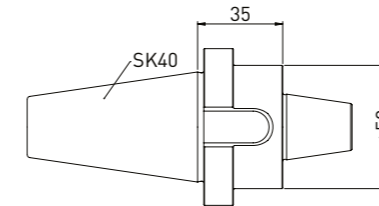


**Item no. Name**  
350130033 Adapter piece HSK50 on Saacke Kurzkegel

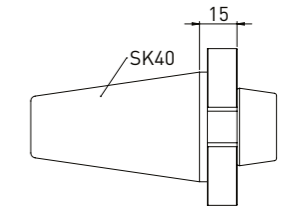


**Item no. Name**  
350130048 Adapter piece HSK50 x ø25 on Rollomatic

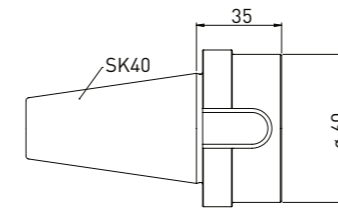
**Adapters fine balanced SK40 an SK50** for tool grinding machines, dressing machines, presetting devices, balancing machines



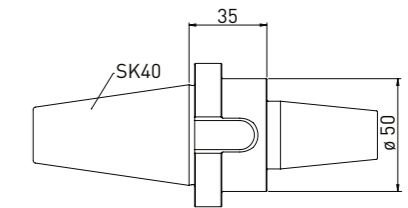
**Item no. Name**  
350130035 Adapter SK40 on ANCA taper ø30



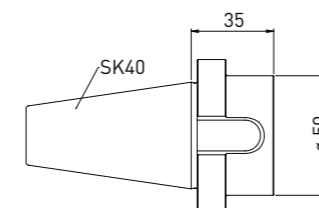
**Item no. Name**  
350130014 Adapter SK40 on Haas/Walter taper



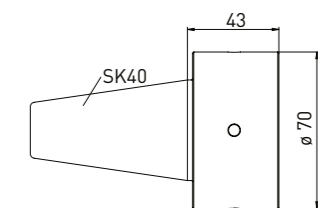
**Item no. Name**  
350130040 Adapter SK40 on Saacke short taper



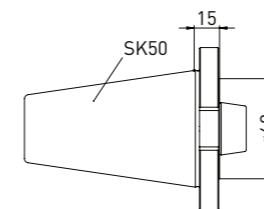
**Item no. Name**  
350130043 Adapter SK40 on Strausak Fleximat



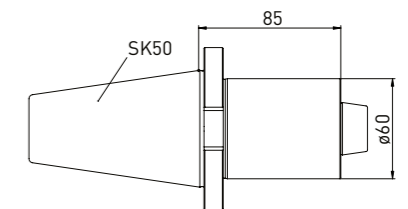
**Item no. Name**  
350130042 Adapter SK40 on Strausak Promat



**Item no. Name**  
350130039 Adapter SK40 on Rollomatic ø25

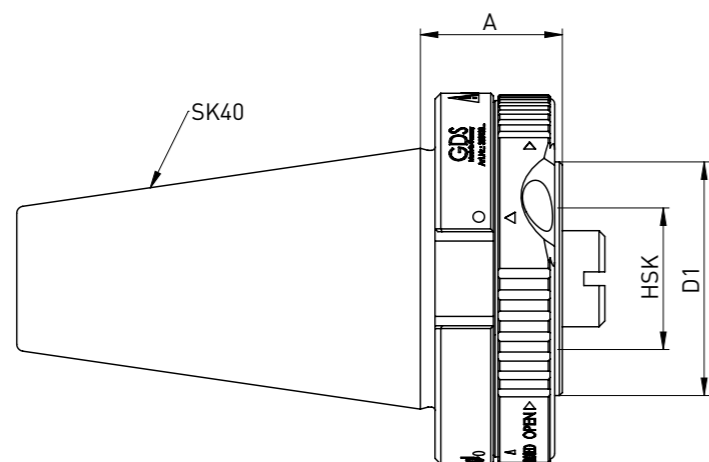


**Item no. Name**  
350130044 Adapter SK50 on Haas/Walter taper L15



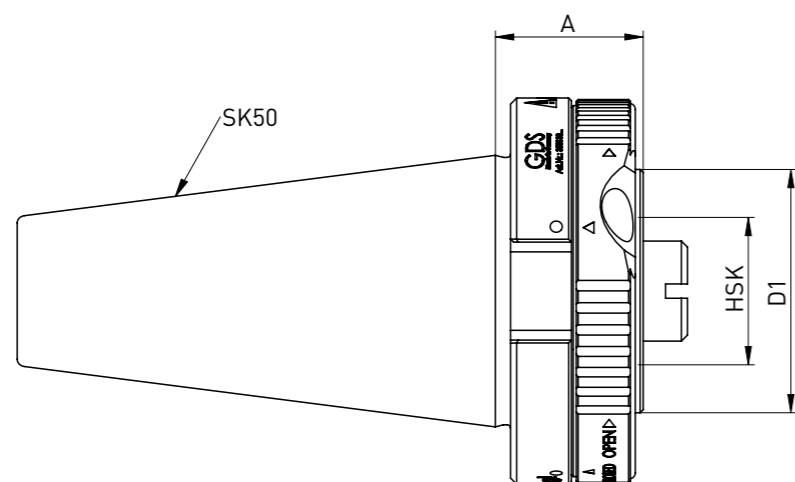
**Item no. Name**  
350130045 Adapter SK50 on Haas/Walter taper L85

## Adapter ISO/SK40 on HSK



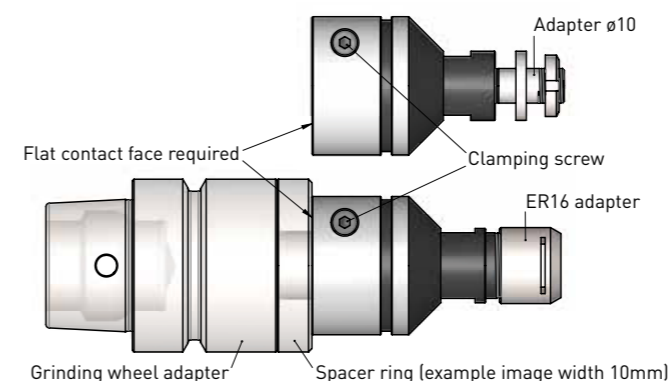
Item no.	A/C/E HSK shape	B/D/F HSK shape	A	D1
350130011	HSK32	HSK40	25	40
350130012	HSK40	HSK50	35	50
350130013	HSK50	HSK63	45	63

## Adapter ISO/SK50 on HSK



Item no.	A/C/E HSK shape	B/D/F HSK shape	A	D1
350130001	HSK32	HSK40	30	40
350130002	HSK40	HSK50	33	50
350130003	HSK50	HSK63	45	63

## Adapters for grinding wheel adapters from $\varnothing 20$ to $\varnothing 10$ // and $\varnothing 20$ to ER16 collet chuck



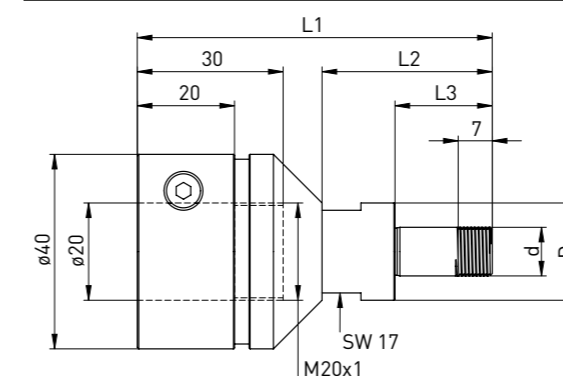
### Assembly example

Twist adapter onto M20x1 screw and bring to rear to flat contact face.

If needed, lay spacers down first so that the adapter meets the flat contact face.

Subsequently, tighten using spanner flat and secure with clamping screw.

### Adapter $\varnothing 20$ on $\varnothing 10$



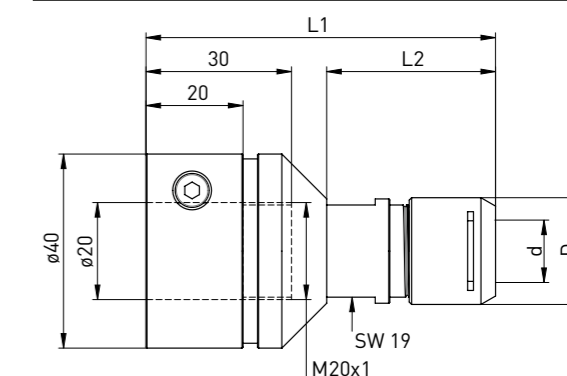
Delivered equipped:  
Clamping nut (350020114), Spacer rings 4pc. (350016004)

Item no.	D	d	L1	L2	L3
350130046	20	10	73	35	20

### Accessories Adapter $\varnothing 20$ on $\varnothing 10$

Item no.	Name - $\varnothing$
350016004	Spacer ring $\varnothing 20$ x $\varnothing 10$ x 3
350020114	Clamping nut $\varnothing 18$ x 4 - M10 x 0,75
350040050	Hook wrench 16-20 mm

### Adapter $\varnothing 20$ on ER16



Delivered equipped:  
Mini clamping nut Silent ER16 (350020116)

Item no.	D	d	L1	L2
350130047	22	ER16	76	39

### Accessories Adapter $\varnothing 20$ on ER16

Item no.	Name
350125116	Mini clamping nut SILENT ER16
350126116	Clamping wrench for Mini clamping nut SILENT ER16

Item no.	Name
3501217**	Collet DIN 6499 ER16 ** $\varnothing 1$ -10mm

\*\*[Please complete the order number with the two-digit number that defines the diameter!] e.g. for  $\varnothing 1$  -> last digit 01 (350121701) for  $\varnothing 10$  last digit -> 10 (350121710)

Our certified partners **take care of you**, where we can't be in person, providing optimal support and answers to your questions.



Local GDS partners offer the complete line of original GDS grinding wheel adaptors as well as clamping and balancing solutions for tool grinding.

From consulting to order processing, please contact your local GDS partners.

GDS - precision is our passion



D- PLZ 0 - 6  
**GDS Präzisionszerspanungs GmbH**  
 Endelbergstraße 8  
 72131 Ofterdingen  
 Tel: +49 (0) 74 73 - 27 26 72  
 Fax: +49 (0) 74 73 - 27 26 49  
 E-Mail: info@gds-praezision.de  
 Web: www.gds-praezision.de

D- PLZ 5 + 7  
**Fischer Präzisionswerkzeug-Maschinen GmbH & Co. KG**  
 Burghaldenstraße 2  
 71065 Sindelfingen  
 Tel: +49 (0) 70 31 - 81 10 - 25  
 Fax: +49 (0) 70 31 - 81 10 - 27  
 E-Mail: info@hf-fischer.de  
 Web: www.hf-fischer.de

D- PLZ 8 + 9  
**Balletshofer Schleiftechnik**  
 Am Geiselbach 28  
 86637 Zusamaltheim  
 Mobil: +49 (0) 1 70 - 3 44 54 74  
 Fax: +49 (0) 82 96 - 90 98 96  
 E-Mail: info@balletshofer.com  
 Web: www.balletshofer.com



**AUSTRIA**  
**plan:b4u GmbH**  
 Colmarplatz 1 / Top XXIII  
 7000 Eisenstadt Austria  
 Tel: +43 664 127 3039  
 E-Mail: info@planb4u.com  
 Web: www.planb4u.com

**BELARUS**  
**AWM Precision GmbH**  
 Genshagener Straße 27  
 14974 Ludwigsfelde Germany  
 Tel: +49 (0) 33 78 - 5 18 63 67  
 E-Mail: arnold@awm-precision.com  
 Web: www.awm-precision.com

**BELGIUM**  
**oelheld technologies SAS**  
 innovative fluid technology  
 Technopôle de Forbach-Sud  
 140, Avenue Jean-Eric Bousch  
 57600 Oeting France  
 Tel: +33 (0) 387-90 42 14  
 Fax: +33 (0) 387-84 66 91  
 E-Mail: martin.gundelach@oelheld.de  
 Web: www.oelheld.com

**CZECH/SLOVAKIA**  
**Dr. MÜLLER DIAMANTMETALL AG**  
 Leprosenweg 34  
 82362 Weilheim i. Ob. Germany  
 Tel: +49 (0) 881 - 90 11 55-0  
 Fax: +49 (0) 881 - 90 11 55-100  
 E-Mail: vertrieb@muedia.de  
 Web: www.muedia.de

**DENMARK**  
**M-Tech ApS**  
 Holkebjergvej 75  
 5250 Odense SV Dänemark  
 Tel: +45 3034 1415  
 E-Mail: m-tech@jakobsen.mail.dk

**ESTONIA**  
**AWM Precision GmbH**  
 Genshagener Straße 27  
 14974 Ludwigsfelde Germany  
 Tel: +49 (0) 33 78 - 5 18 63 67  
 E-Mail: arnold@awm-precision.com  
 Web: www.awm-precision.com

**FINLAND**  
**Diamack Oy**  
 Asentajankatu 9 C  
 48770 Kotka Finland  
 Tel: +358 5 - 21 41 20  
 Fax: +358 5 - 21 41 70  
 E-Mail: diamack@diamack.fi  
 Web: www.diamack.fi

**FRANCE**  
**oelheld technologies SAS**  
 innovative fluid technology  
 Technopôle de Forbach-Sud  
 140, Avenue Jean-Eric Bousch  
 57600 Oeting France  
 Tel: +33 (0) 387-90 42 14  
 Fax: +33 (0) 387-84 66 91  
 E-Mail: martin.gundelach@oelheld.de  
 Web: www.oelheld.com

**HUNGARY**  
**Szerszám Technika Kft.**  
 Dűlő u. 4.  
 1225 Budapest Hungary  
 Tel: +36 1 287 82 76  
 Fax: +36 1 287 82 77  
 E-Mail: info@szerszamtechnika.hu  
 Web: www.szerszamtechnika.hu

**IRELAND**  
**ANCA (UK) Ltd**  
 Eastwood Business Village,  
 Harry Weston Road,  
 CV3 2UB Coventry, UK  
 Tel: +44 (0) 2476447000  
 E-Mail: ukinfo@anca.com  
 Web: machines.anca.com

**ITALY**  
**Utensileria FAVRIN Srl**  
 Via Per Cabiante 79  
 22066 Mariano Comense Italy  
 Tel: +39 (0) 31 - 74 72 00  
 Fax: +39 (0) 31 - 75 12 22  
 E-Mail: utensileria-mariano@favrin.it  
 Web: www.utensileria-favrin.it

**LATVIA**  
**AWM Precision GmbH**  
 Genshagener Straße 27  
 14974 Ludwigsfelde Germany  
 Tel: +49 (0) 33 78 - 5 18 63 67  
 E-Mail: arnold@awm-precision.com  
 Web: www.awm-precision.com

**LITHUANIA**  
**AWM Precision GmbH**  
 Genshagener Straße 27  
 14974 Ludwigsfelde Germany  
 Tel: +49 (0) 33 78 - 5 18 63 67  
 E-Mail: arnold@awm-precision.com  
 Web: www.awm-precision.com

**LUXEMBOURG**  
**oelheld technologies SAS**  
 innovative fluid technology  
 Technopôle de Forbach-Sud  
 140, Avenue Jean-Eric Bousch  
 57600 Oeting France  
 Tel: +33 (0) 387-90 42 14  
 Fax: +33 (0) 387-84 66 91  
 E-Mail: martin.gundelach@oelheld.de  
 Web: www.oelheld.com

**NETHERLANDS**  
**oelheld technologies SAS**  
 innovative fluid technology  
 Technopôle de Forbach-Sud  
 140, Avenue Jean-Eric Bousch  
 57600 Oeting France  
 Tel: +33 (0) 387-90 42 14  
 Fax: +33 (0) 387-84 66 91  
 E-Mail: martin.gundelach@oelheld.de  
 Web: www.oelheld.com

**POLAND**  
**Vollmer Polska sp z o.o.**  
 ul.Handlowa 11  
 41-807 Zabrze Poland  
 Tel: +48 32 733 08 69  
 E-Mail: info-pl@vollmer-group.com  
 Web: www.vollmer-group.com

**PORTUGAL // SPAIN**  
**Procut**  
 Parque Industrial Cruzeiro  
 Rua Nossa Senhora da Ajuda 150  
 4815-364 Moreira de Conegos Portugal  
 Tel: +351 253 56 12 11  
 Fax: +351 253 56 39 49  
 E-Mail: info@procut.pt  
 Web: www.procut.pt

**SWEDEN // NORWAY**  
**Ehn & Land AB**  
 Bultvägen 4  
 553 02 Jönköping Sweden  
 Tel: +46 86 35 34-50  
 Fax: +46 86 35 34-70  
 E-Mail: info@ehnland.se  
 Web: www.ehnland.se

**SWITZERLAND**  
**Ziegler + Cie AG**  
 Industriestraße 12  
 8404 Winterthur Switzerland  
 Tel: +41 (0) 52 234 20 20  
 Fax: +41 (0) 52 234 20 10  
 E-Mail: info@zieglerag.ch  
 Web: www.zieglerag.ch

**UKRAINE**  
**AWM Precision GmbH**  
 Genshagener Straße 27  
 14974 Ludwigsfelde Germany  
 Tel: +49 (0) 33 78 - 5 18 63 67  
 E-Mail: arnold@awm-precision.com  
 Web: www.awm-precision.com

**UNITED KINGDOM**  
**ANCA (UK) Ltd**  
 2 Eastwood Business Village  
 Harry Weston Road,  
 CV3 2UB Coventry, UK  
 Tel: +44 (0) 2476447000  
 E-Mail: ukinfo@anca.com  
 Web: machines.anca.com



## CHINA

### HERZOG CHINA CO.,LTD.

4/F, No.3232 Beimen Road,  
Kunshan, Jiangsu 215316 China  
Tel: +86-512-55 19 05 78  
Fax: +86-512-55 19 05 76  
E-Mail: dezhu@herzog-china.com  
Web: www.herzog-china.com

### Changzhou Technology Service Center

West Street 255#, Xixiashu Town,  
Xinbei District, Changzhou City,  
Jiangsu Province, China  
Tel: +86-519-83 85 09 55  
E-Mail: dezhu@herzog-china.com

### South China Technology Service Center

FuYuan Business Center 206#, 1# 13th Alley,  
MaiYuan Road, XinAn Community, ChangAn Town,  
DongGuan City, GuangDong Province China  
Tel: +86-769-81 88 99 62  
E-Mail: dezhu@herzog-china.com

## INDIA

### Herzog India Company

Rahul K. Sapkal N9, R27, 159,  
Pratap Gad Nagar, Cidco, Aurangabad,  
Maharashtra, India 431003  
Tel: +91-8669667550  
E-Mail: herzogindia@gmail.com

## IRAN

### plan:b4u GmbH

Colmarplatz 1 / Top XXIII  
7000 Eisenstadt Austria  
Tel: +43 664 127 3039  
E-Mail: info@planb4u.com  
Web: www.planb4u.com

## IRAQ

### plan:b4u GmbH

Colmarplatz 1 / Top XXIII  
7000 Eisenstadt Austria  
Tel: +43 664 127 3039  
E-Mail: info@planb4u.com  
Web: www.planb4u.com

## ISRAEL

### De-Paz Machinery CNC machines & Accessories

Menachem Begin 80 Blvd  
Afula. 1871356 Israel  
Tel: +972-54-421 48 72  
E-Mail: zion@de-paz.com  
Web: www.de-paz.com

## JAPAN

### Vollmer Japan Corp.

Haraichi 283-1  
362-0021, Ageo-Shi  
Saitama-Ken Japan  
Tel: +81-48 795 4110  
Fax: +81-48 795 4112  
E-Mail: INFO-JAPAN@VOLLMER-GROUP.COM

## KAZAKHSTAN

### AWM Precision GmbH

Genshagener Straße 27  
14974 Ludwigsfelde Germany  
Tel: +49 (0) 33 78 - 5 18 63 67  
E-Mail: arnold@awm-precision.com  
Web: www.awm-precision.com

## KATAR

### plan:b4u GmbH

Colmarplatz 1 / Top XXIII  
7000 Eisenstadt Austria  
Tel: +43 664 127 3039  
E-Mail: info@planb4u.com  
Web: www.planb4u.com

## KOREA

### Central Technology Co. Ltd

D-1311, Gwangmyeong Techno Park,  
Haanro 60, Gwangmyeong-Si,  
Gyeonggi-Do, 423-050 Korea  
Tel: +82-2-897-0945  
Fax: +82-2-897-0943  
E-Mail: ycr@centraltech.co.kr  
Web: www.centraltech.co.kr

## KUWAIT

### plan:b4u GmbH

Colmarplatz 1 / Top XXIII  
7000 Eisenstadt Austria  
Tel: +43 664 127 3039  
E-Mail: info@planb4u.com  
Web: www.planb4u.com

## LAOS

### VOLLMER Asia Pacific Co., Ltd.

20th Floor, SJ Infinite One Business Complex  
Unit 2001-2005 349 Vibhavadi-Rangsit Road,  
Chompol Chatuchak, Bangkok,  
10900, Thailand  
Tel: +66 (0)20183536  
E-Mail: Info-VOAP@vollmer-group.com

## MYANMAR

### VOLLMER Asia Pacific Co., Ltd.

20th Floor, SJ Infinite One Business Complex  
Unit 2001-2005 349 Vibhavadi-Rangsit Road,  
Chompol Chatuchak, Bangkok,  
10900, Thailand  
Tel: +66 (0)20183536  
E-Mail: Info-VOAP@vollmer-group.com

## OMAN

### plan:b4u GmbH

Colmarplatz 1 / Top XXIII  
7000 Eisenstadt Austria  
Tel: +43 664 127 3039  
E-Mail: info@planb4u.com  
Web: www.planb4u.com

## PAZIFIK

### (Indonesia, Malaysia, Singapore)

### VOLLMER Asia Pacific Co., Ltd.

20th Floor, SJ Infinite One Business Complex  
Unit 2001-2005  
349 Vibhavadi-Rangsit Road, Chompol  
Chatuchak, Bangkok, 10900 Thailand  
Tel: +66 (0)20183536  
E-Mail: Info-VOAP@vollmer-group.com

## PHILLIPINES

### VOLLMER Asia Pacific Co., Ltd.

20th Floor, SJ Infinite One Business Complex  
Unit 2001-2005 349 Vibhavadi-Rangsit Road,  
Chompol Chatuchak, Bangkok,  
10900, Thailand  
Tel: +66 (0)20183536  
E-Mail: Info-VOAP@vollmer-group.com

## RUSSIA

### AWM Precision GmbH

Genshagener Straße 27  
14974 Ludwigsfelde Germany  
Tel: +49 (0) 33 78 - 5 18 63 67  
E-Mail: arnold@awm-precision.com  
Web: www.awm-precision.com

## SAUDI-ARABIA

### plan:b4u GmbH

Colmarplatz 1 / Top XXIII  
7000 Eisenstadt Austria  
Tel: +43 664 127 3039  
E-Mail: info@planb4u.com  
Web: www.planb4u.com

## TAIWAN

### HERZOG Taiwan Co., Ltd.

10F, No.70 Gongyequ 1st Rd., Situn Dist.  
Taichung City 40766 Taiwan (R.O.C.)  
Tel: +886-4-23 55-33 88  
Fax: +886-4-23 55-22 99  
E-Mail: deluca@herzog-taiwan.com.tw  
Web: www.costa.com.tw

## THAILAND

### VOLLMER Asia Pacific Co., Ltd.

20th Floor, SJ Infinite One Business Complex  
Unit 2001-2005  
349 Vibhavadi-Rangsit Road, Chompol  
Chatuchak, Bangkok, 10900 Thailand

## TURKEY

### GDS Turkiye

Yusuf Değirmenci Bahçeşehir 2.Kısım Mah.  
Mercedes Blv. No:24 BBC Dükkan No:50  
Başakşehir/Istanbul  
Tel: +90 544 821 35 29  
E-Mail: yusuf@gds-turkiye.com  
Web: www.gds-turkiye.com

## UNITED ARAB EMIRATES

### plan:b4u GmbH

Colmarplatz 1 / Top XXIII  
7000 Eisenstadt Austria  
Tel: +43 664 127 3039  
E-Mail: info@planb4u.com  
Web: www.planb4u.com

## VIETNAM

### VOLLMER Asia Pacific Co., Ltd.

20th Floor, SJ Infinite One Business Complex  
Unit 2001-2005 349 Vibhavadi-Rangsit Road,  
Chompol Chatuchak, Bangkok,  
10900, Thailand  
Tel: +66 (0)20183536  
E-Mail: Info-VOAP@vollmer-group.com



## ALGERIA

### oelheld technologies SAS

innovative fluid technology  
Technopôle de Forbach-Sud  
140, Avenue Jean-Eric Bousch  
57600 Oeting France  
Tel: +33 (0) 387-90 42 14  
Fax: +33 (0) 387-84 66 91  
E-Mail: martin.gundelach@oelheld.de  
Web: www.oelheld.com

## AUSTRALIA

### Camco Cutting Tools Int'l Pty. Ltd.

1/25 Mareno Rd., P.O. Box 1575,  
Tullamarine, Victoria, 3043 Australia  
Tel: +61 (0)3 8336 1500  
Fax: +61 (0)3 8336 1499  
Mob: +61 (0)413 126 868  
E-Mail: sales@camcointl.com

## CANADA

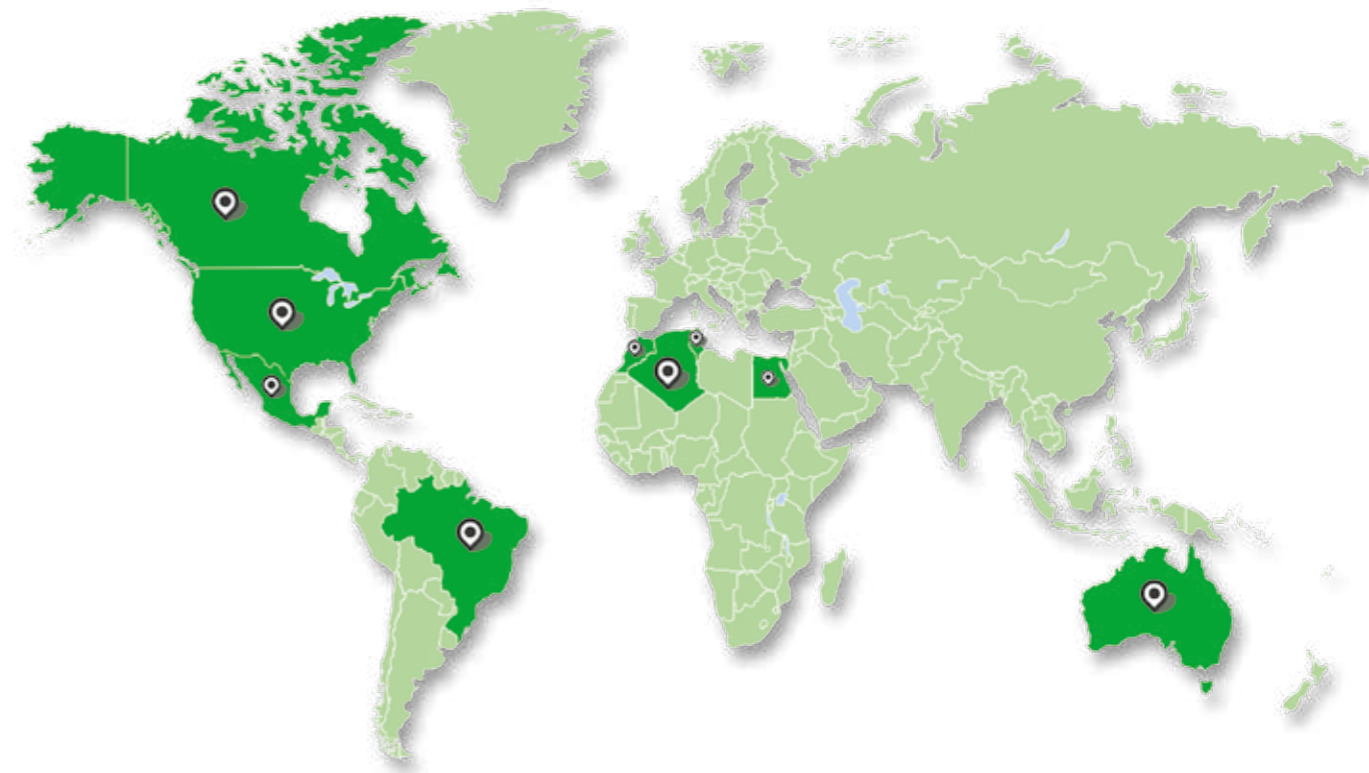
### Toolroom Solutions Inc.

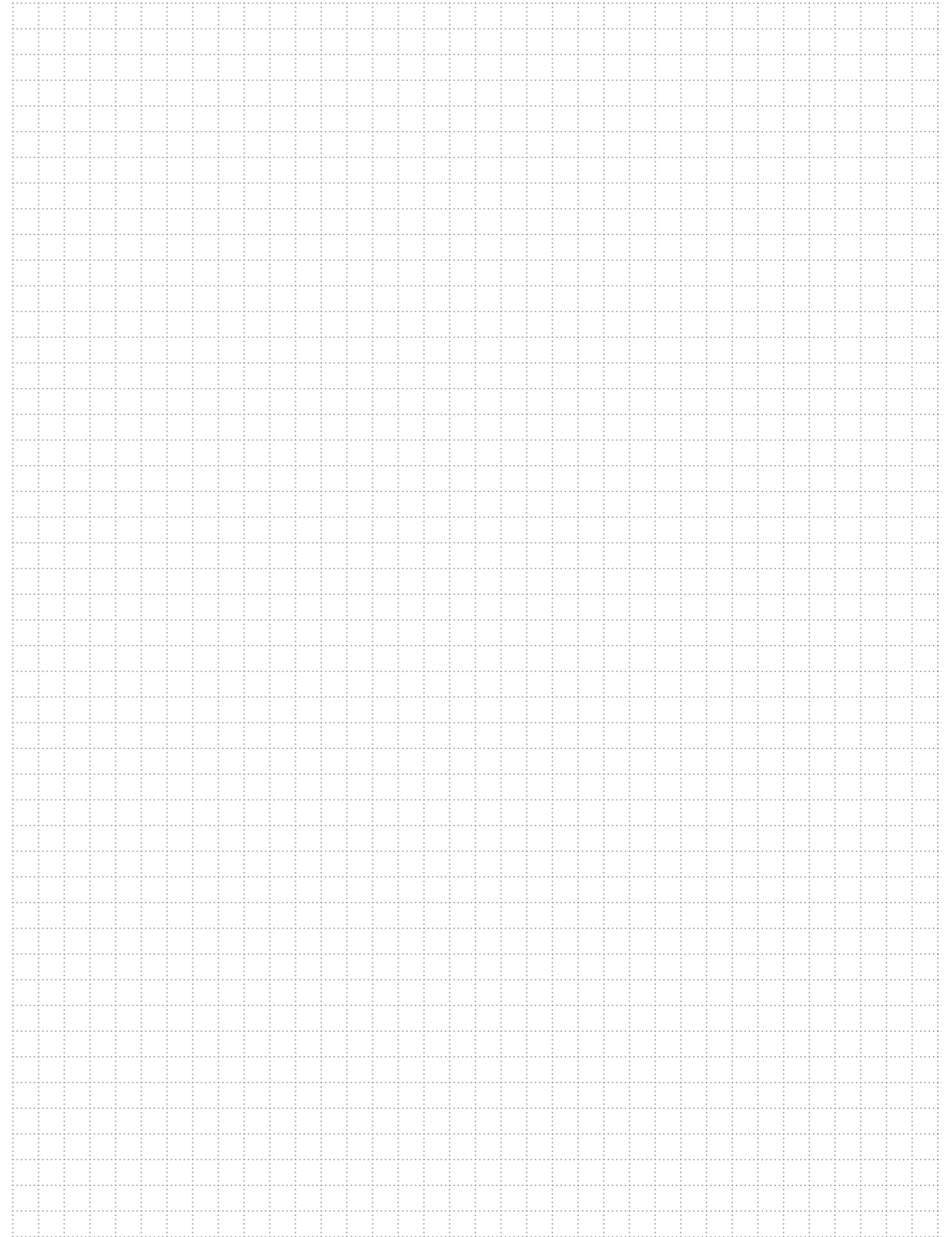
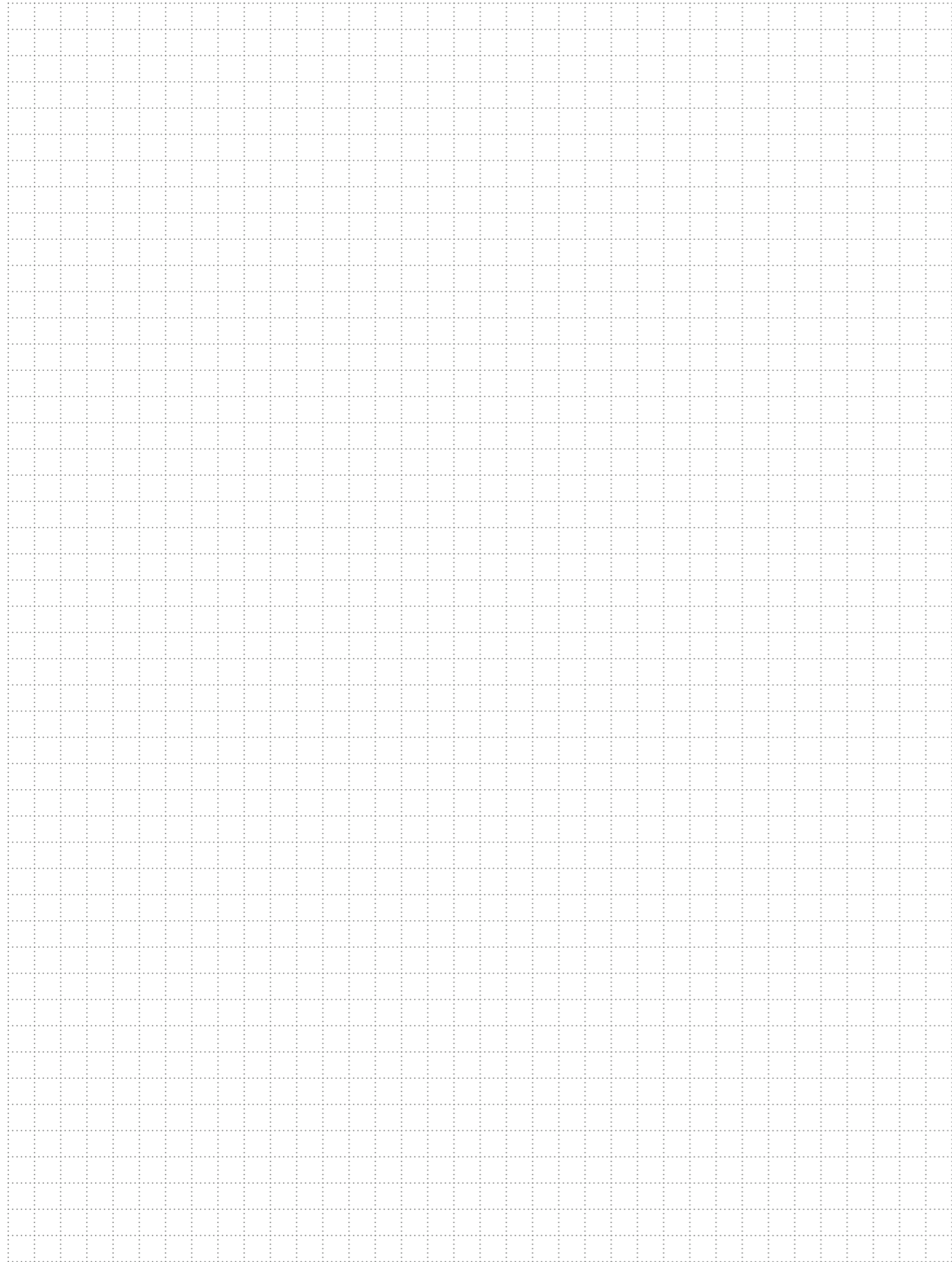
Ed Sinkora  
8824 Old Block House Ln  
22551 Spotsylvania USA  
Tel: +1 540 9 40 - 59 77  
E-Mail: ed@toolroom.solutions

## MOROCCO

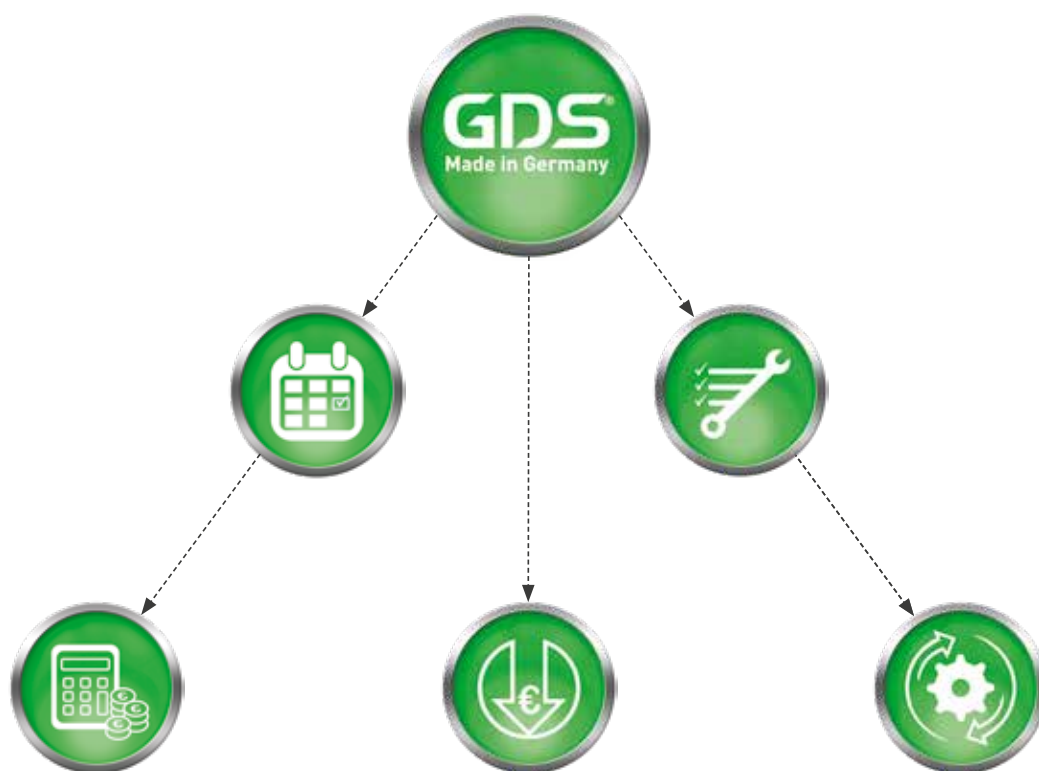
### oelheld technologies SAS

innovative fluid technology  
Technopôle de Forbach-Sud  
140, Avenue Jean-Eric Bousch  
57600 Oeting France  
Tel: +33 (0) 387-90 42 14  
Fax: +33 (0) 387-84 66 91  
E-Mail: martin.gundelach@oelheld.de  
Web: www.oelheld.com





# REVOLUTION IN TOOLGRINDING



GDS Präzisionszerspanungs GmbH // Endelbergstraße 8 // 72131 Ofterdingen

Telefon: + 49 (0) 74 73 - 27 26 72  
Telefax: + 49 (0) 74 73 - 27 26 49

E-Mail: [info@gds-germany.com](mailto:info@gds-germany.com)  
Web: [www.gds-germany.de](http://www.gds-germany.de)

